

Service
Service
Service



Service Manual

TABLE OF CONTENTS

	Page
. Technical Specifications.....	1-2
. Safety Instructions, Warnings, Notes.....	1-3
. Mechanical and Dismantling Instructions.....	2-1
. Software Version& Upgrades.....	3-1
. Trouble Shooting Chart.....	4-1
. Block and Wiring Diagram.....	5-1
. Electrical Diagrams and Print-layouts	
Front Board.....	6-1
Power Board.....	7-1
Main Board.....	8-1
. Set Mechanical Exploded view& Parts List.....	9-1
. Revision List.....	10-1

© Copyright 2004 Philips Consumer Electronics B.V. Eindhoven, The Netherlands
 All rights reserved. No part of this publication may be reproduced, stored in a retrieval system or transmitted, in any form or by any means, electronic, mechanical, photocopying, or otherwise without the prior permission of Philips.



Technical Specifications

TV standard (PAL/50Hz) (NTSC/60Hz)

Number of lines	625	525
Playback	Multi standard	(PAL/NTSC)

Video performance

Video output	1Vpp into 75ohm
S-video output	Y: 1Vpp into 75ohm C: 0.3Vpp into 75ohm
RGB(SCART) output	Y: 0.7Vpp into 75ohm

Audio format

Digital	MPEG	Compressed Digital
	Dolby Digital	16, 20, 24bits
	PCM	fs, 44.1, 48, 96kHz
MP3(ISO 9660)		96,112,128,256kbps & variable bit rate fs,32, 44.1,48 kHz

Analogue Sound Stereo

Dolby surround-compatible downmix from Dolby Digital multi-channel sound

Audio performance

DA converter	24bits
DVD	fs 96kHz 4Hz----44kHz fs 48kHz 4Hz----22kHz
SVCD	fs 48kHz 4Hz----22kHz fs 44.1kHz 4Hz----20kHz
CD/VCD	fs 44.1kHz 4Hz----20kHz
Signal-Noise (1kHz)	>90dB
Dynamic Range (1kHz)	>80dB
Cross talk (1kHz)	>80dB
Distortion/Noise (1kHz)	>80dB
MPEG MP3	MPEG Audio L3
Audio L+R output:	1.0~2.0 Vpp into 10K ohm

Connections

Scart Output	Euroconnector
S-video output	Mini DIN, 4pins
Video output	Cinch(yellow)
Audio L+R output	Cinch (white/red)
Digital output	1 coaxial IEC60958 for CDDA/LPCM IEC61937 for MPEG1/2, Dobly Digital

Cabinet

Dimensions (w X h X d)	360 X 43 X 285mm
Weight	Approximately 2.0 kg

Power consumption

Power supply	230V for/00/02/05
Power consumption	<12W
Power consumption in Standby mode	<1W

*Typical playing time for movie with 2 spoken languages and 3 subtitle languages.

Specifications subjects to change without prior notice.

Safety instructions, Warnings, Notes

Safety instructions

1. General safety

Safety regulations require that during a repair:

- . Connect the unit to the mains via an isolation transformer.
- . Replace safety components indicated by the symbol ▲, only by components identical to the original ones. Any other component substitution (other than original type) may increase risk of fire or electrical shock hazard.

Safety regulations require that after a repair, you must return the unit in its original condition. Pay, in particular, attention to the following points:

- . Route the wires/cables correctly, and fix them with the mounted cable clamps.
- . Check the insulation of the mains lead for external damage.
- . Check the electrical DC resistance between the mains plug and the secondary side:
 - 1) Unplug the mains cord, and connect a wire between the two pins of the mains plug.
 - 2) Set the mains switch the "on" position (keep the mains cord unplug).
 - 3) Measure the resistance value between the mains plug and the front panel, controls, and chassis bottom.
 - 4) Repair or correct unit when the resistance measurement is less than 1M Ω .
 - 5) Verify this, before you return the unit to the customer/user (ref. UL-standard no. 1492).
 - 6) Switch the unit "off", and remove the wire between the two pins of the mains plug.

2. Laser safety

This unit employs a laser. Only qualified service personnel may remove the cover, or attempt to service this device (due to possible eye injury).

Laser device unit

Type : Semiconductor laser GaAlAs

Wavelength : 650nm (DVD)

: 780nm (VCD/CD)

Output power : 7mW (DVD)

: 10mW (DVD /CD)

Beam divergence: 60 degree

Note: Use of controls or adjustments or performance of procedure other than those specified herein, may result in hazardous radiation exposure. Avoid direct exposure to beam.

Warnings

1. General

. All ICs and many other semiconductors are susceptible to electrostatic discharges (ESD). Careless handling during repair can reduce life drastically. Make sure that, during repair, you are at the same potential as the mass of the set by a wristband with resistance. Keep components and tools at this same potential. Available ESD protection equipment:

1) Complete kit ESD3 (small tablemat, wristband, connection box, extension cable and earth cable) 4822 310 10671.

2) Wristband tester 4822 344 13999.

. Be careful during measurements in the live voltage section. The primary side of the power supply, including the heat sink, carries live mains voltage when you connect the player to the mains (even when the player is "off"!). It is possible to touch copper tracks and/or components in this unshielded primary area, when you service the player. Service personnel must take precautions to prevent touching this area or components in this area. A "lighting stroke" and a stripe-marked printing on the printed wiring board, indicate the primary side of the power supply.

. Never replace modules, or components, while the unit is "on".

2. Laser

. The use of optical instruments with this product, will increase eye hazard.

. Only qualified service personnel may remove the cover or attempt to service this device, due to possible eye injury.

. Repair handling should take place as much as possible with a disc loaded inside the player.

. Text below is placed inside the unit, on the laser cover shield:

CAUTION: VISIBLE AND INVISIBLE LASER RADIATION
WHEN OPEN, AVOID EXPOSURE TO BEAM.

Notes: Manufactured under licence from Dolby Laboratories. The double-D symbol is trademarks of Dolby Laboratories, Inc. All rights reserved.

Mechanical and Dismantling Instructions

Dismantling Instruction

The following guidelines show how to dismantle the player.

Step1: Remove 5 screws around the Top Cover. And remove it (Figure 1)

Step2: If it is necessary to dismantle Loader or Front Panel, It should be remove the front door assembly first. (Figure 2)
If the trace can't open in normal way, you can make it by push

the gear wheel manually using the slot below the bottom chassis with a tool.. (Figure 3)

Note: Make sure to operate gently otherwise the gear wheel would be damaged.



Figure 1



Figure 2

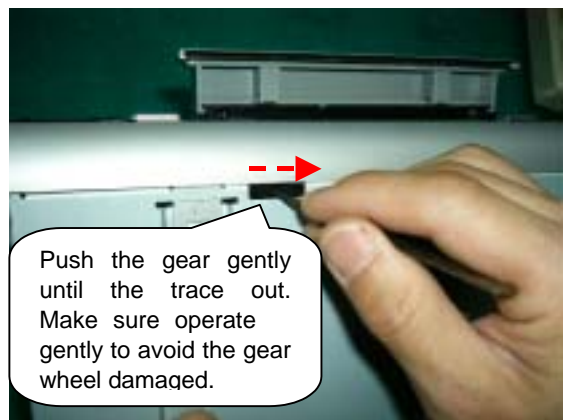


Figure 3

Step3: Dismantling Loader, First, disconnect the 3 connectors aiming in the figure, and then remove the 4 screws at both sides of the loader,(Figure 4)

Step4: Dismantling Front Panel: disconnect the 2 connectors aiming in the figure then Release the snaps on the both sides of Front Panel and gently pull the Panel out from the set. (Figure5& 6)

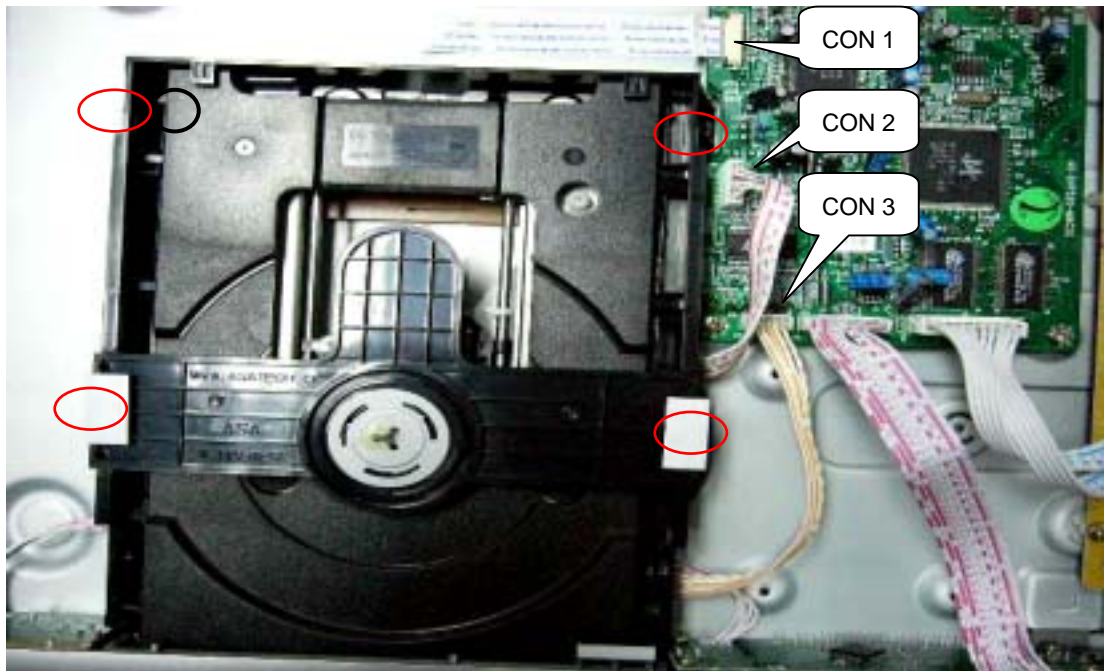


Figure4



Figure 5

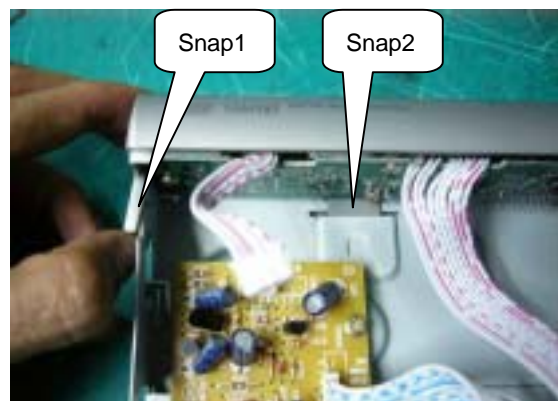


Figure 6

Step5: Dismantling Main Board, first disconnect the connector, and then remove the relative screws, (Figure 7)

Step6: Remove the 3 screws on power board to dismantle the power board. (Figure 8)

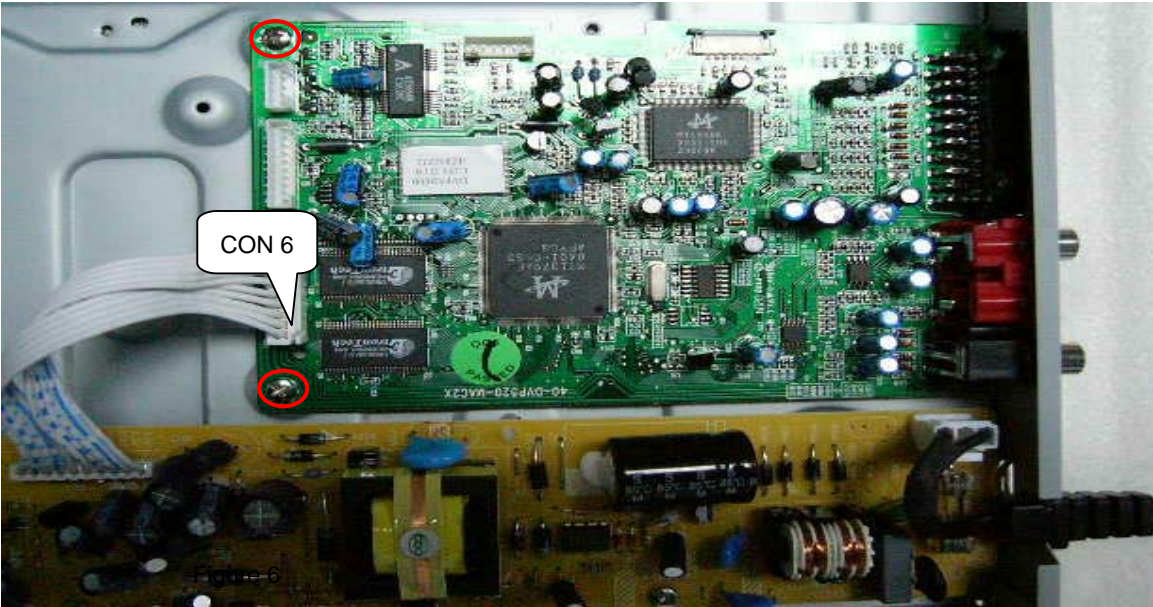


Figure 7



Figure 8

ATTENTION OF REPAIRING

Make sure adding silicon glue to fix the capacitor C203 after repairing, (Avoid the hazard of C203 touching the Top Cover.)

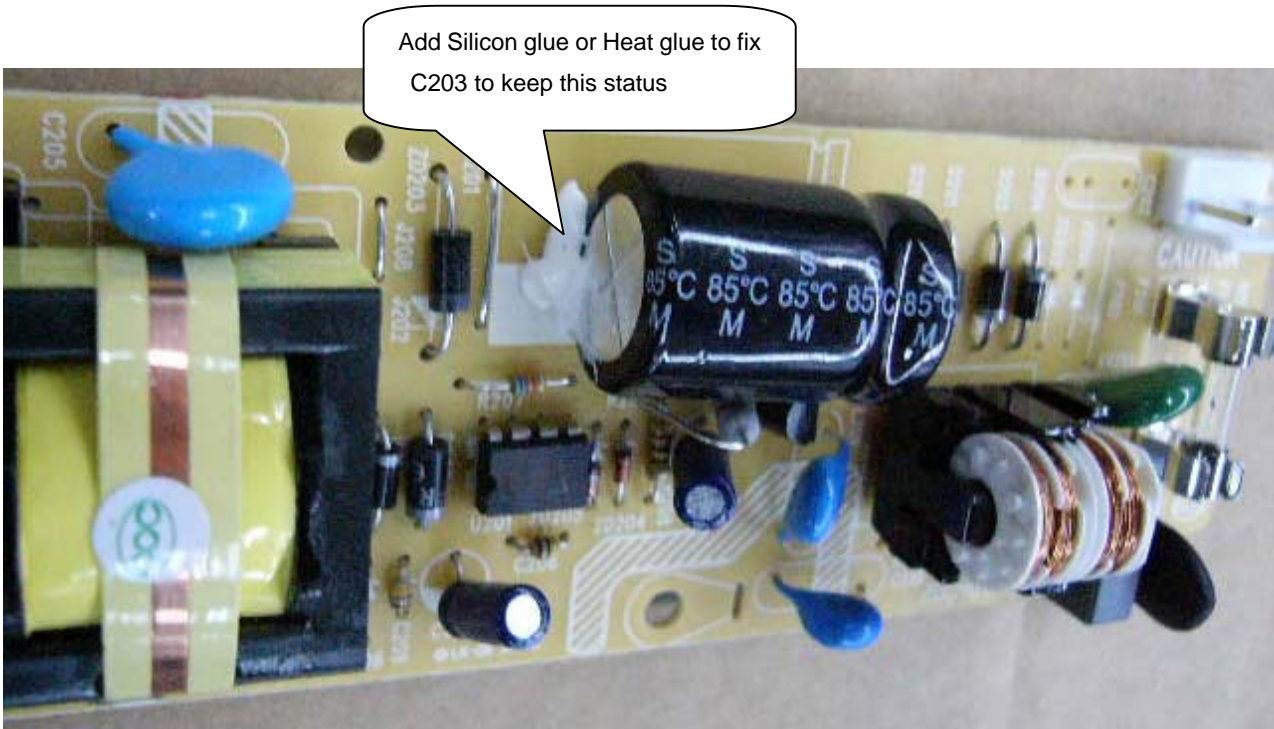


Figure 9

Software upgrade

A. Preparation to upgrade software

- 1) Start the CD Burning software and create a new CD project (Data Disc) with the following setting:

Label: **DVP5XX**

File System: **DVP530.BIN**

Note: It is required capital letter for the Label name & the File System name.

- 2) Burn the data onto a blank CDR

B. Procedure for software upgrade:

- 1) Power up the set and insert the prepared Upgrade CDR.
- 2) The set will starts reading disc & response with the following display TV screen:
Upgrade File DETECTED
Upgrade?
Press Play TO START
- 3) Press <Play> button to confirm, then screen will display :
Files coping...
UPGRADING...
- 3) The upgraded disc will automatically out when files coping complete, then take out the disc.
- 4) About 1 minute later, the trace will automatically close when upgrading complete.

C. Read out the software versions to confirm upgrading

- 1) Power up the set and press <system menu> button on the remote control.

- 2) Press <1><3><7><9> button.

The software version and other information are display on the TV screen as follows:

Version XX.XX.XX.XX (Main version)

SUB-VER XX.XX.XX.XX (software version of application software)

8032 XX.XX.XX.XX

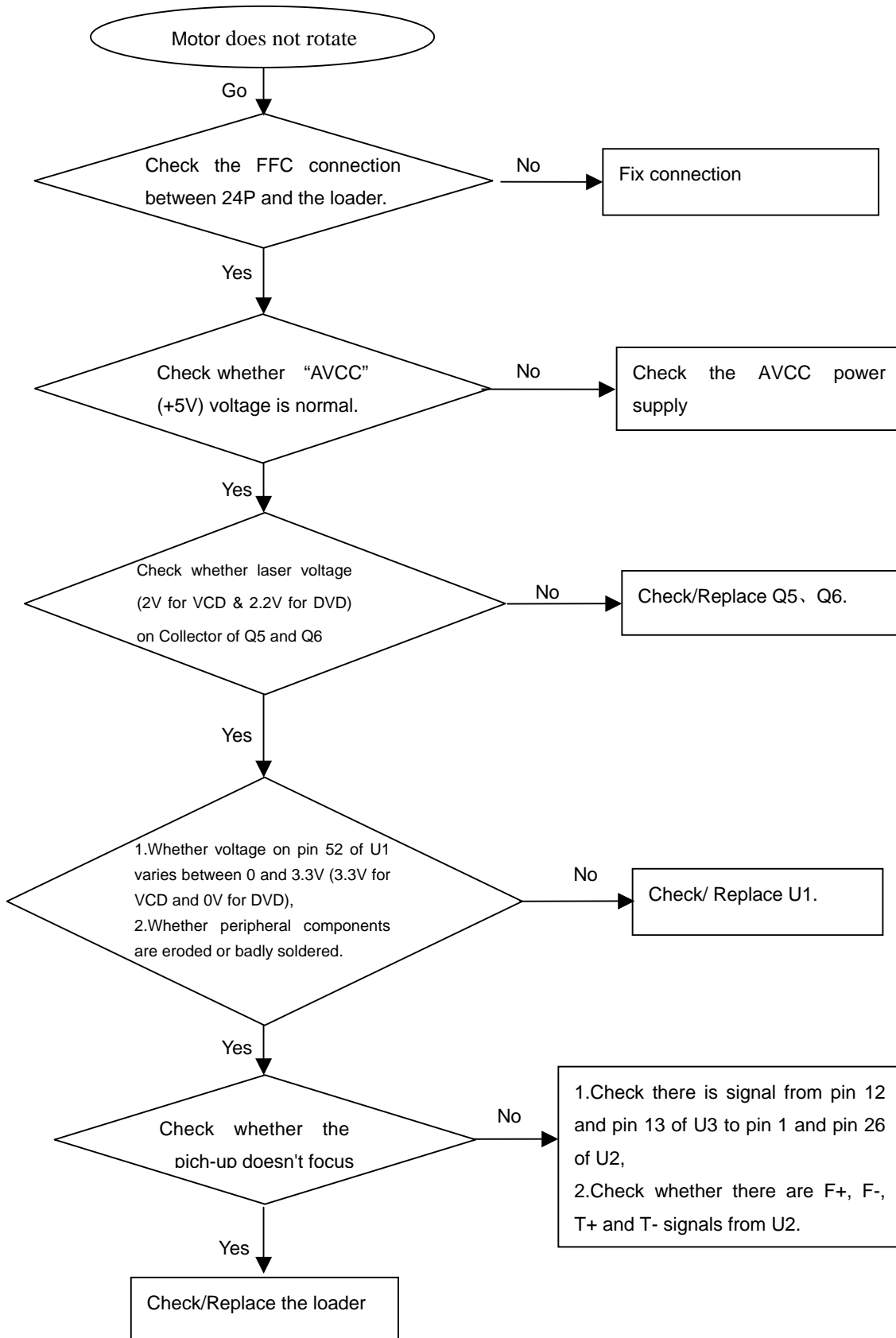
Servo XX.XX.XX.XX (software version of Servo)

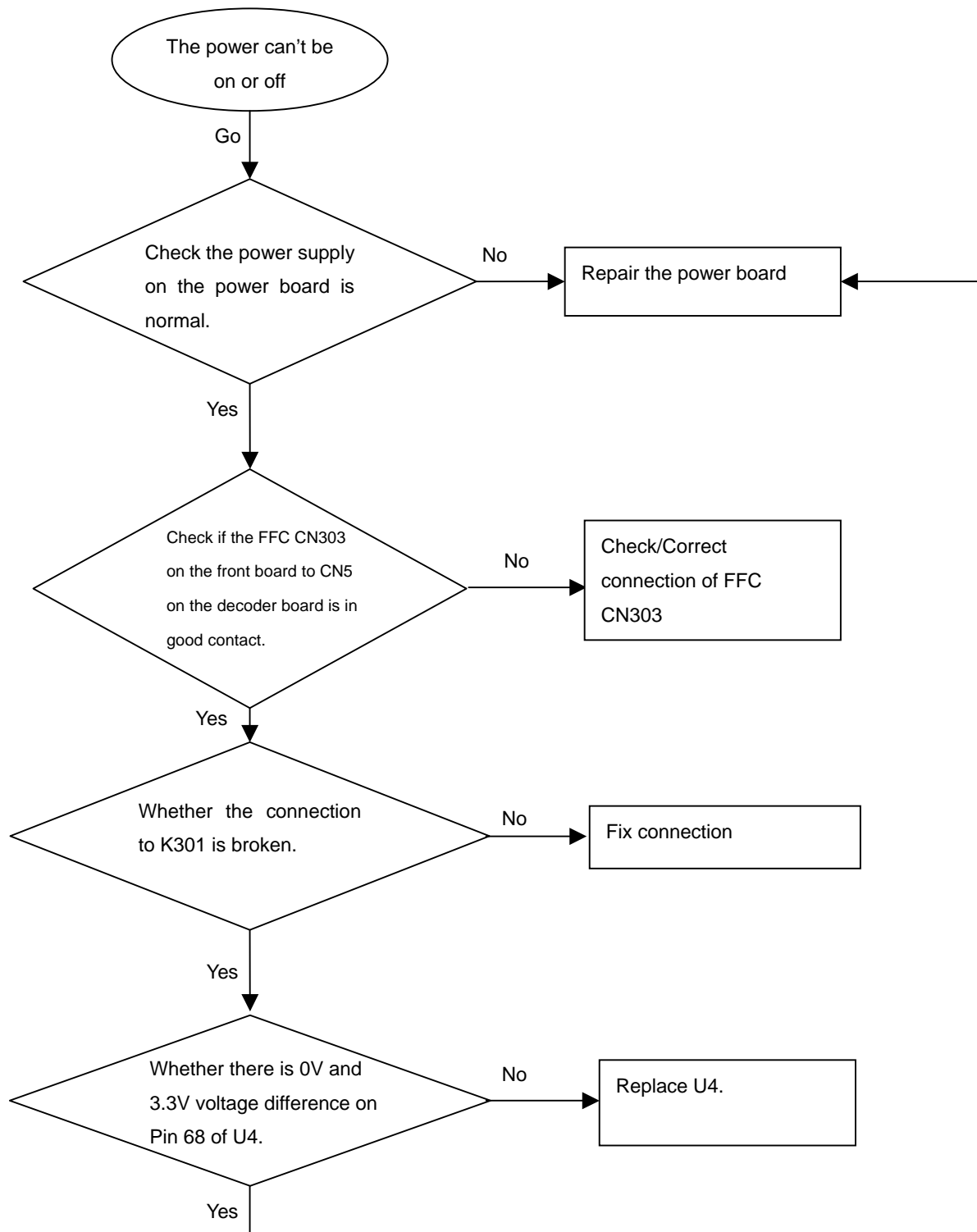
RISC XX.XX.XX.XX

DSP XX.XX.XX.XX

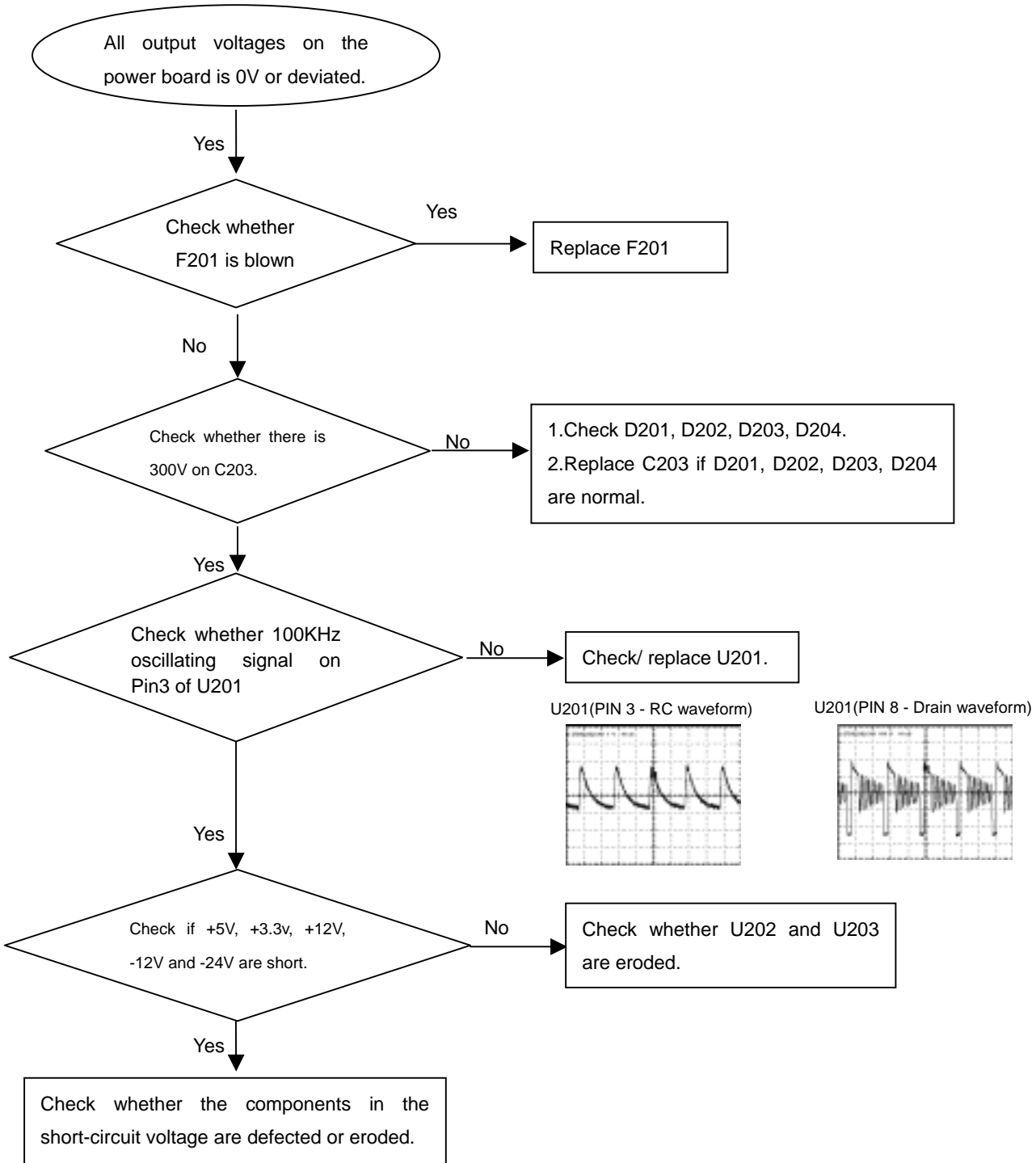
Region Code X

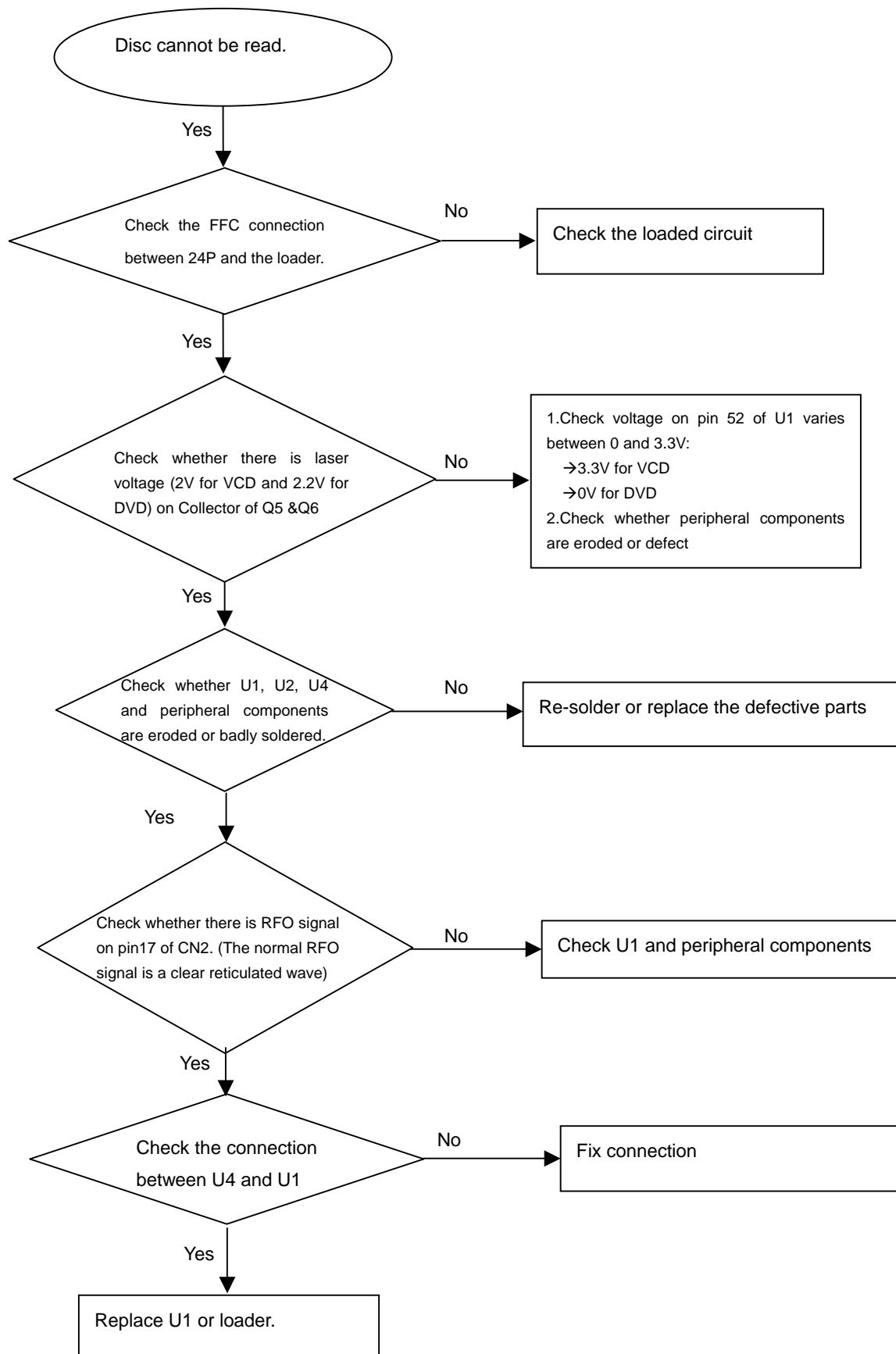
Caution: The set must not be power off during upgrading, in that case the decoder board will be damaged entirely.

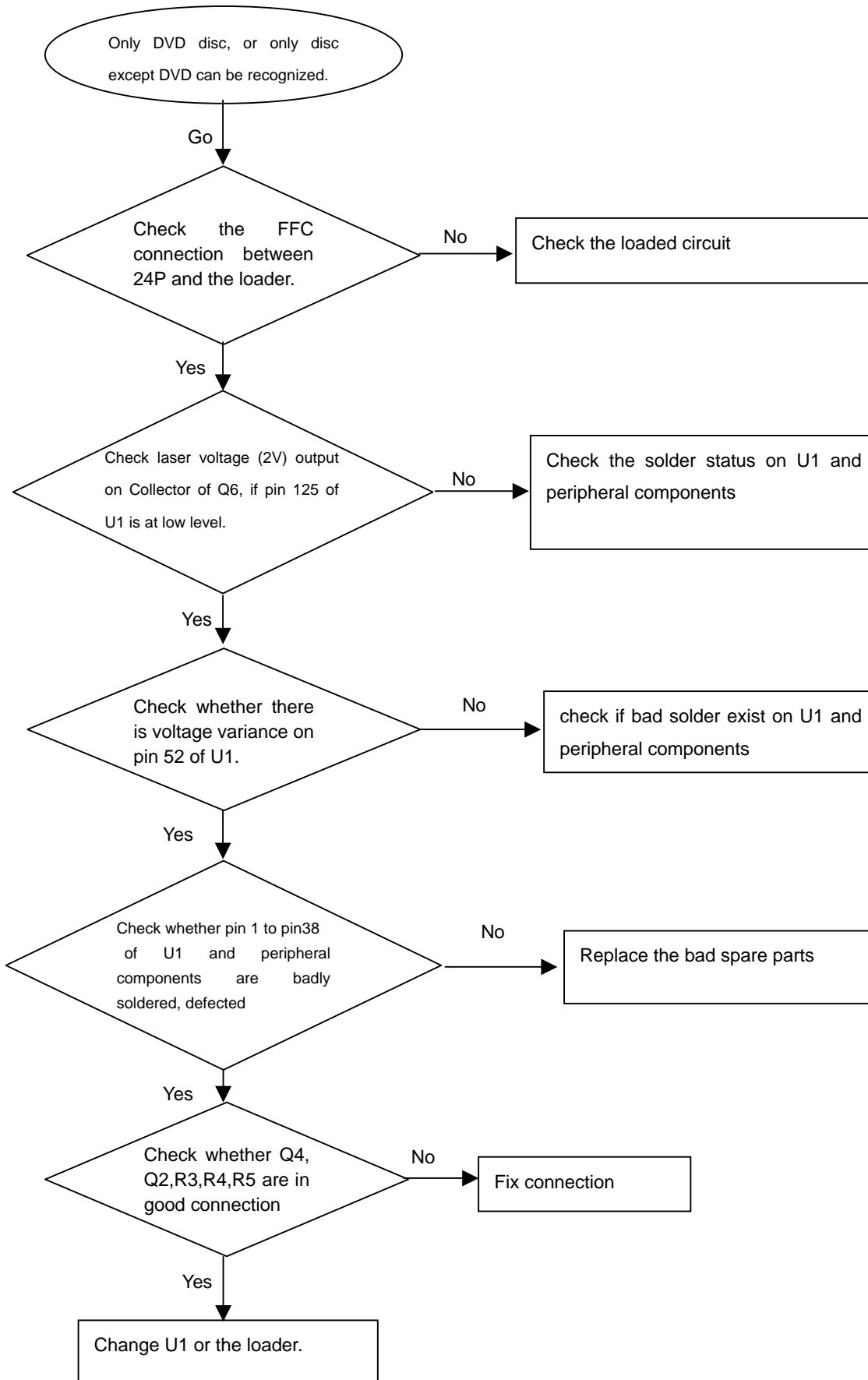
Spindle motor does not rotate

The power can not be on or off

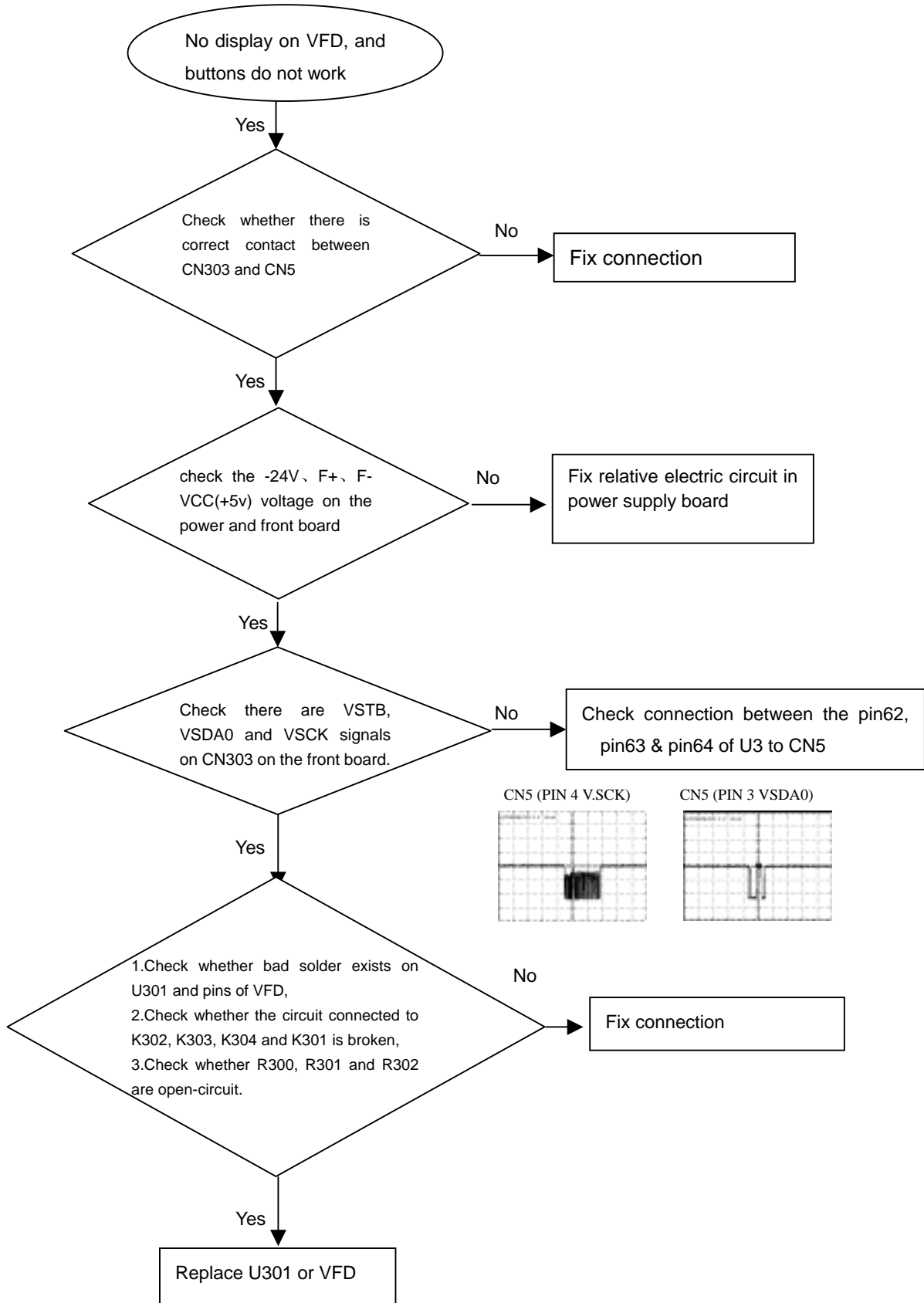
All output voltages on the power board is 0V or deviated.



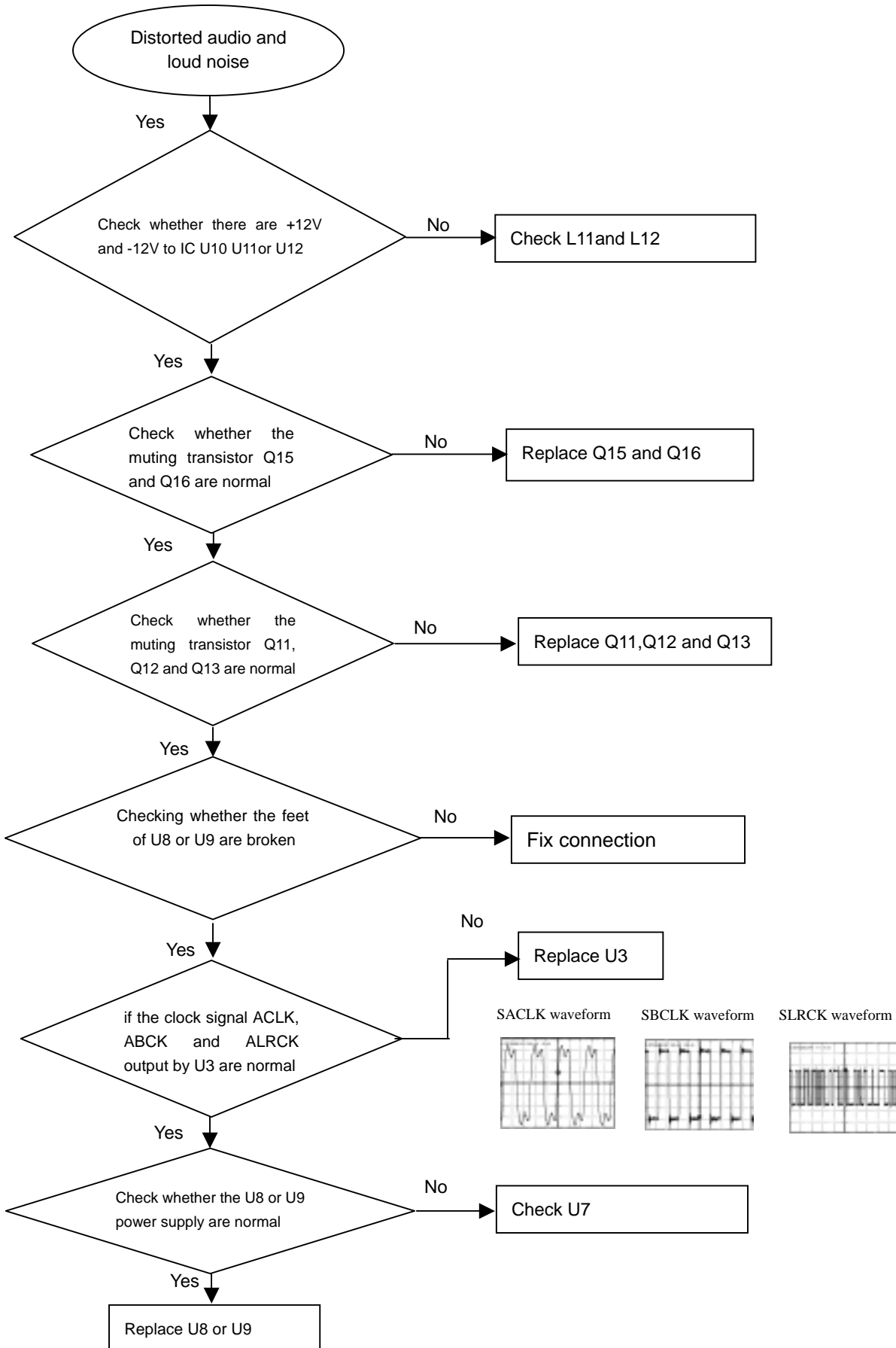
Disc cannot be read.

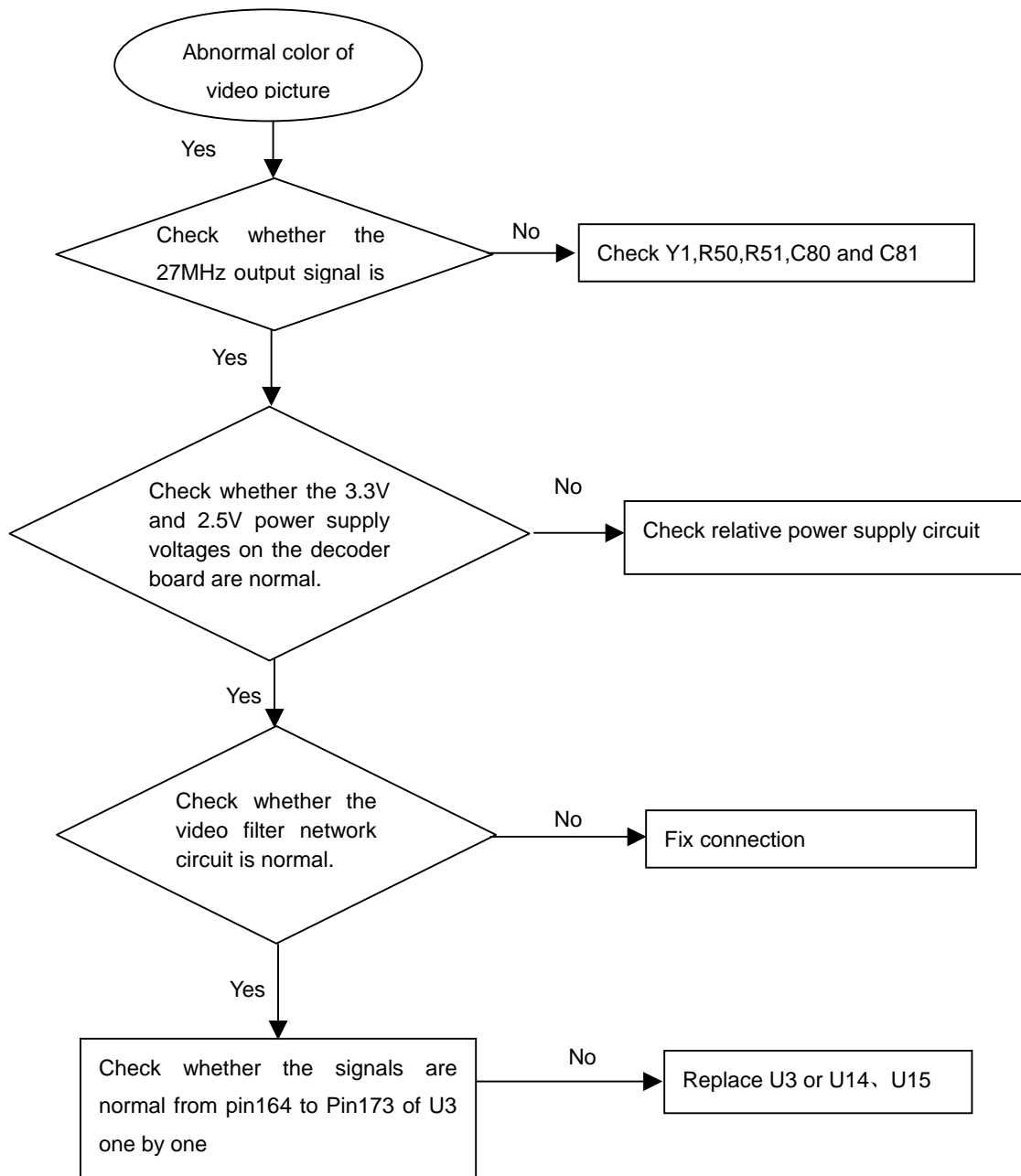
Only DVD disc or only disc except DVD can be recognized.

No display on VFD, and buttons do not work

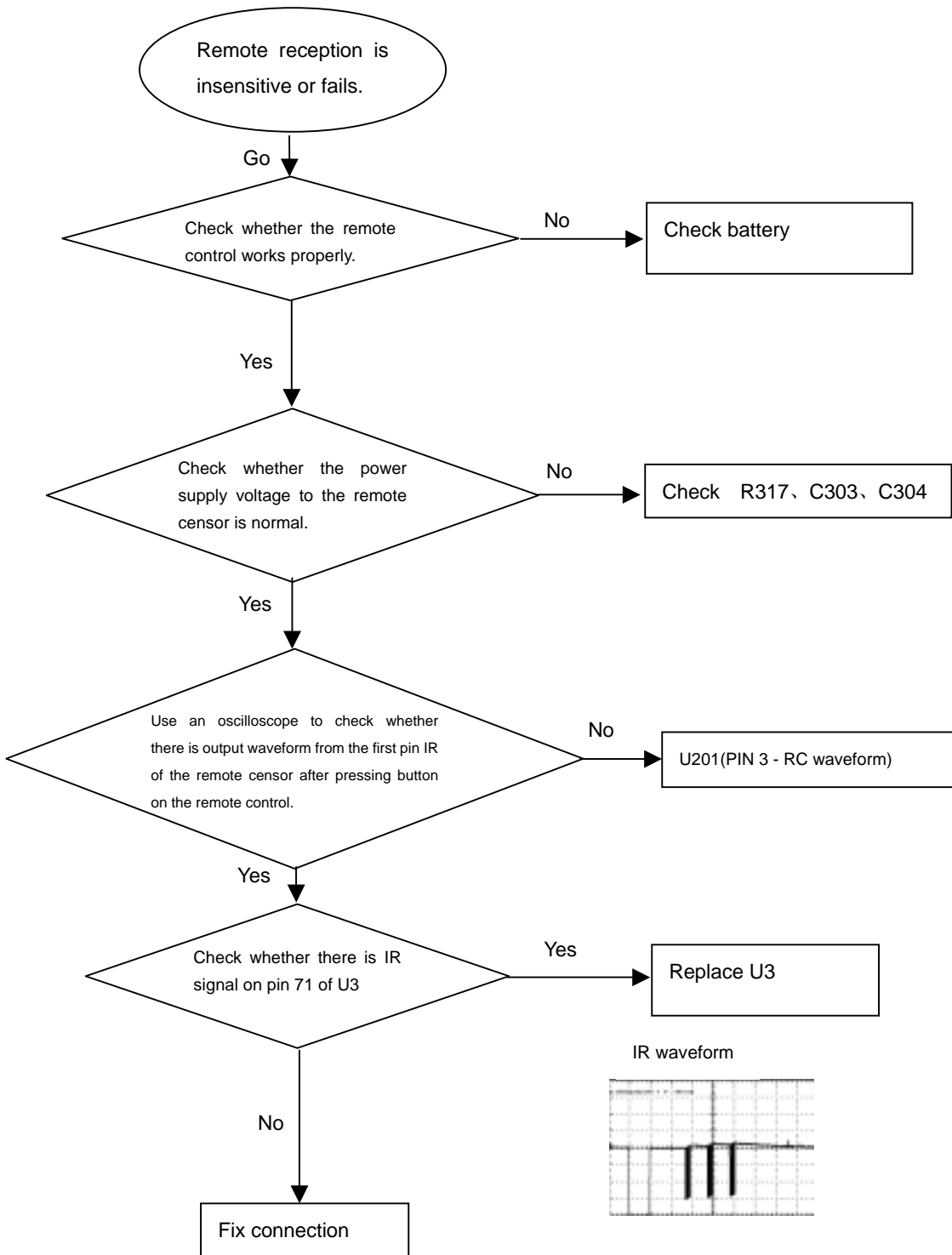


Distorted audio and loud noise

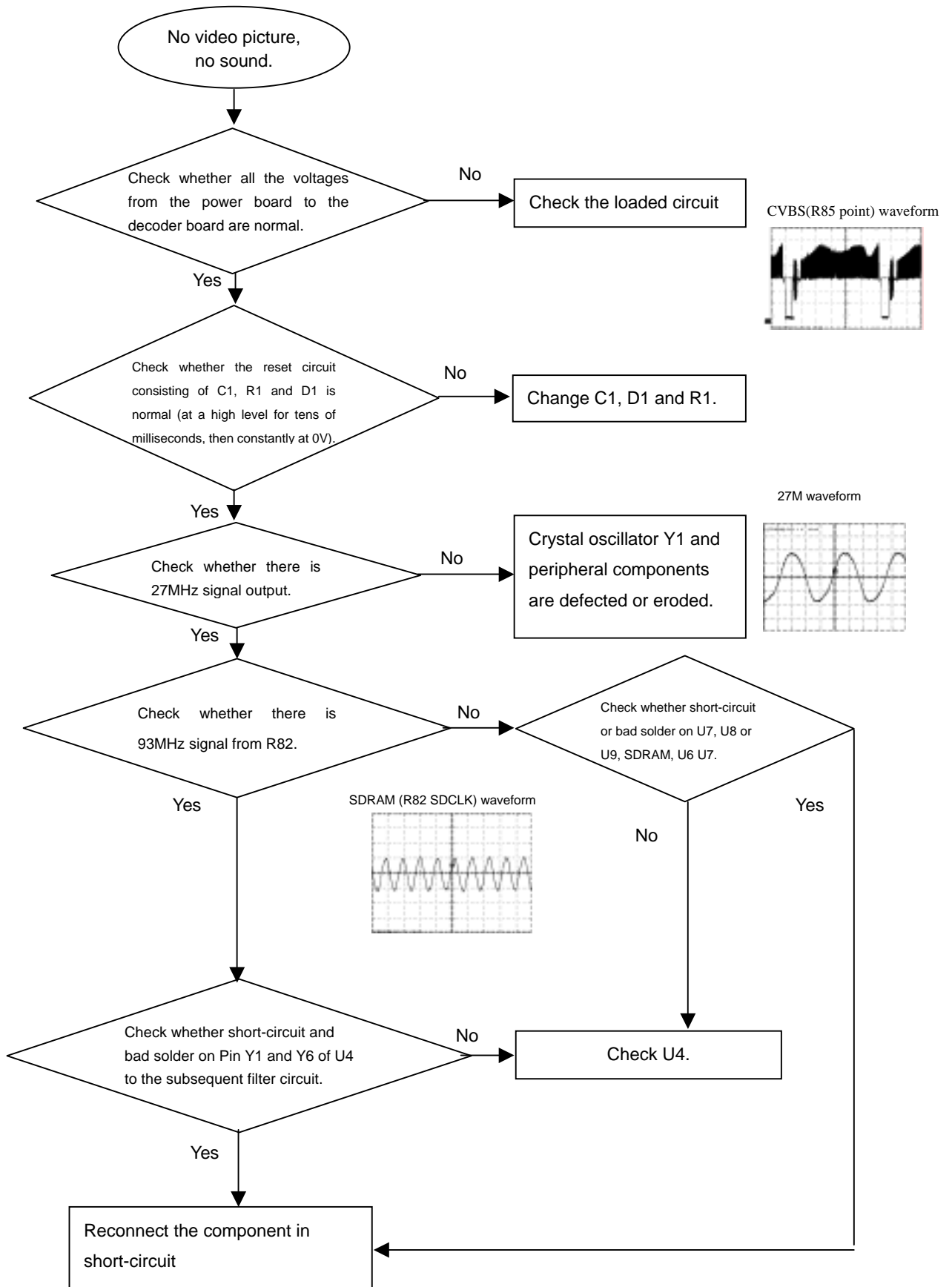


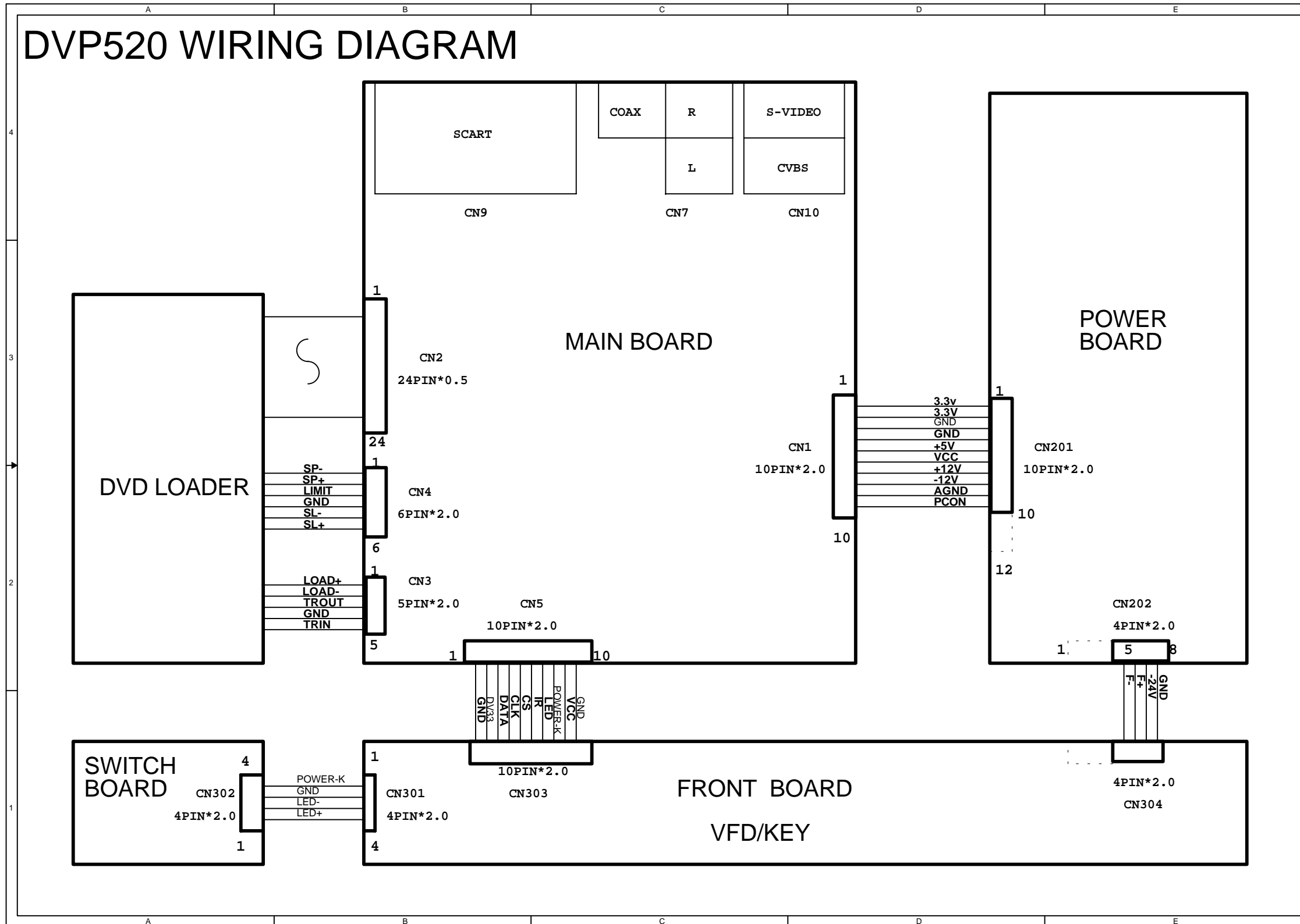
Abnormal color of video picture

Remote reception is insensitive or fails.



No video picture, no sound.





FRONT BOARD

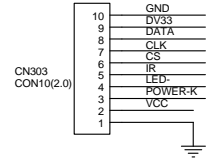
TABLE OF CONTENTS

. Front Board-Circuit Diagram.....	6-3
. Front Board-Component & Chip Layout.....	6-4
. Electrical Parts List.....	6-5

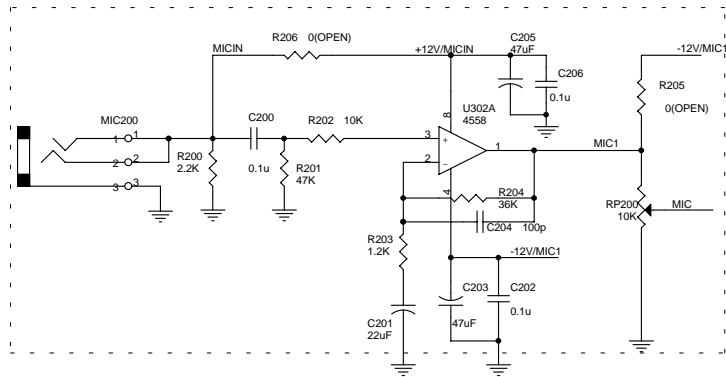
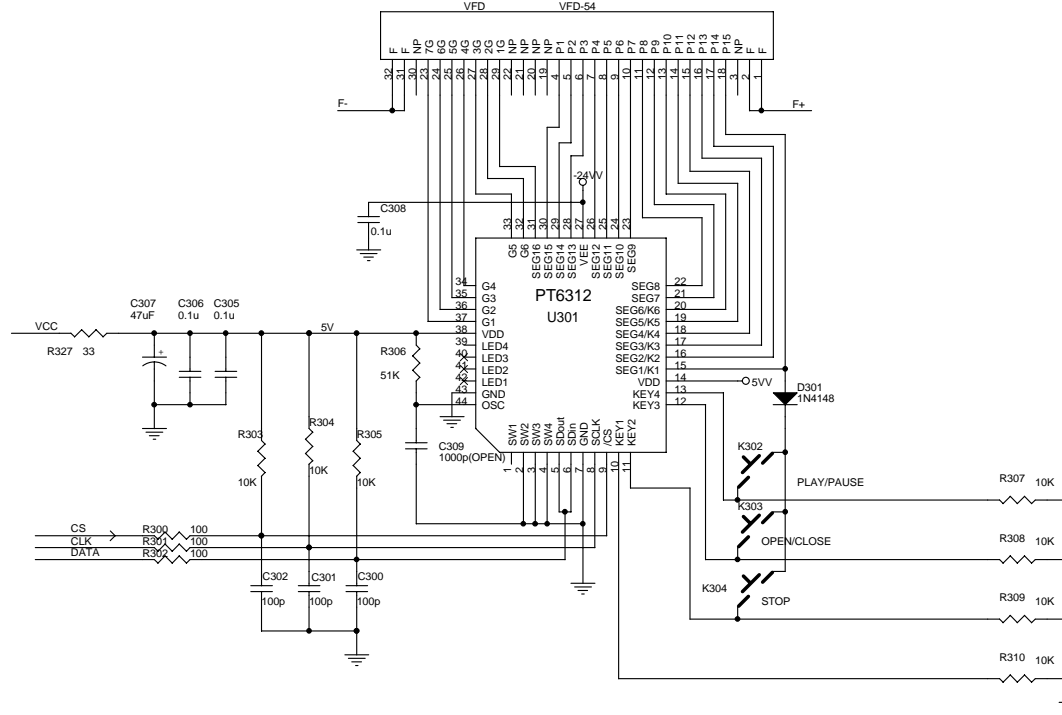
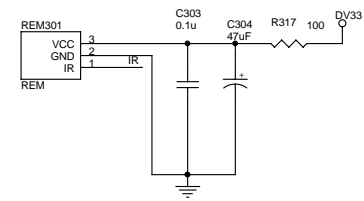
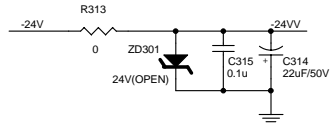
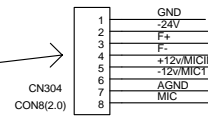
Service Engineer Remarks:

DVP520 FRONT BOARD

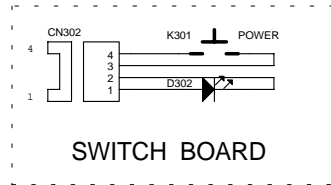
FROM MAIN BOARD



	Stuff
Without Karaoke	CN304(1-4)
With Karaoke	CN304(1-8)



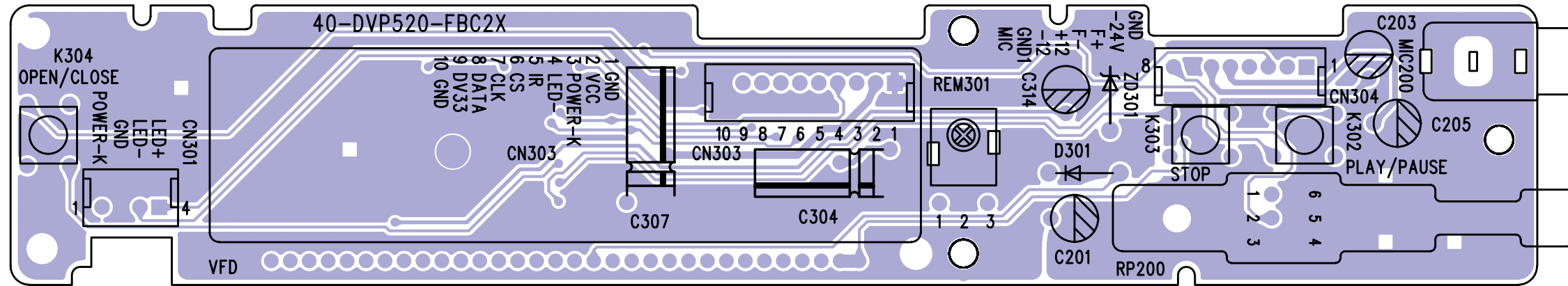
When have no karaoke, this inside of circle a piece is OPEN



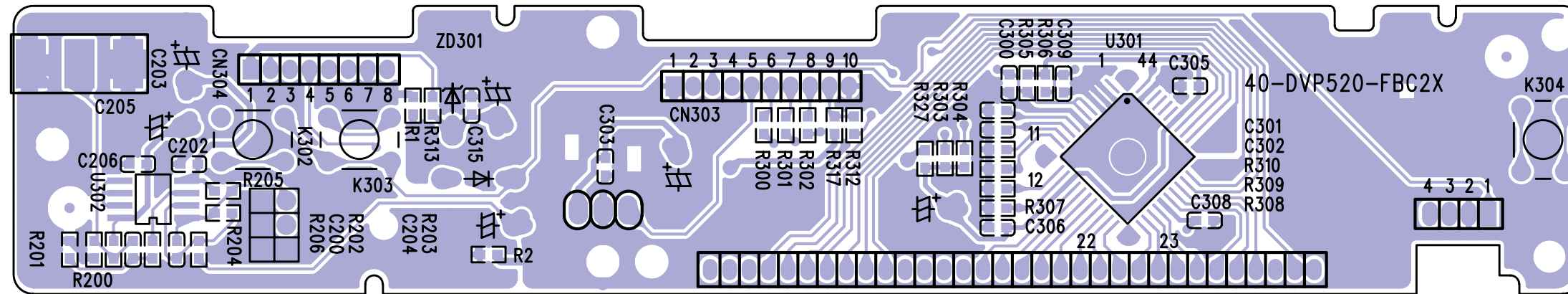
	OPEN	Stuff
Without VFD, Without LED	D302	CN302(3-4)
With LED, Without VFD		CN302(1-4), D302

- C200 E1
- C202 E2
- C203 E2
- C204 E2
- C205 D2
- C206 D2
- C300 C4
- C301 C4
- C302 C4
- C303 C2
- C304 C2
- C305 C4
- C306 C4
- C307 C4
- C308 B4
- C309 C5
- C314 C2
- C315 C2
- CN301 E5
- CN302 E4
- CN303 A2
- CN304 B2
- D301 C6
- D302 E4
- K301 E4
- K302 C6
- K303 C6
- K304 C6
- MIC200 E1
- R200 E1
- R201 E2
- R202 E2
- R203 E2
- R204 E2
- R300 C4
- R301 C4
- R302 C4
- R303 C4
- R304 C4
- R305 C4
- R306 C4
- R307 C7
- R308 C7
- R309 D7
- R310 D7
- R312 E6
- R313 C2
- R317 C2
- R327 C3
- REM301 C1
- RP200 E3
- U301 B5
- U302 E2
- VFD B5
- ZD301 C2

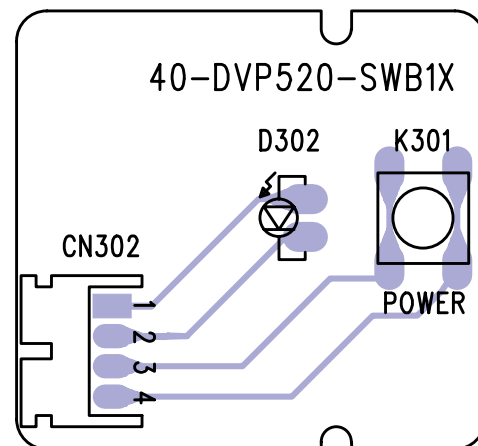
FRONT BOARD (Top Side)



FRONT BOARD (Bottom Side)



SWITCH BOARD



Electrical Parts List-Front Board

CAPACITORS

C300	28-AB0101-JCX	SMD. CAP 100 pF 50VDC +/-5%
C301	28-AB0101-JCX	SMD. CAP 100 pF 50VDC +/-5%
C302	28-AB0101-JCX	SMD. CAP 100 pF 50VDC +/-5%
C303	28-AB0104-ZFX	SMD. CAP 0.1 UF 50V +80%-20% 0603
C304	25-HCB470-M1X	CAP. ELEC 47 UF 16V +/-20%(SM)
C305	28-AB0104-ZFX	SMD. CAP 0.1 UF 50V +80%-20% 0603
C306	28-AB0104-ZFX	SMD. CAP 0.1 UF 50V +80%-20% 0603
C307	25-HCB470-M1X	CAP. ELEC 47 UF 16V +/-20%(SM)
C308	28-AB0104-ZFX	SMD. CAP 0.1 UF 50V +80%-20% 0603
C314	25-HFB220-M1X	CAP. ELEC 22 UF 50V +/-20%
C315	28-AB0104-ZFX	SMD. CAP 0.1 UF 50V +80%-20% 0603

RESISTORS

R300	19-AA0101-JTX	RES. SMD 100 OHM 1/16W +/-5%
R301	19-AA0101-JTX	RES. SMD 100 OHM 1/16W +/-5%
R302	19-AA0101-JTX	RES. SMD 100 OHM 1/16W +/-5%
R303	19-AA0103-JTX	RES. SMD 10K OHM 1/16W +/-5%
R304	19-AA0103-JTX	RES. SMD 10K OHM 1/16W +/-5%
R305	19-AA0103-JTX	RES. SMD 10K OHM 1/16W +/-5%
R306	19-AA0513-JTX	RES.SMD 51K 1/16W +/-5% 0603
R307	19-AA0103-JTX	RES. SMD 10K OHM 1/16W +/-5%
R308	19-AA0103-JTX	RES. SMD 10K OHM 1/16W +/-5%
R309	19-AA0103-JTX	RES. SMD 10K OHM 1/16W +/-5%
R310	19-AA0103-JTX	RES. SMD 10K OHM 1/16W +/-5%
R312	19-AA0471-JTX	RES. SMD 470 OHM 1/16W +/-5%
R313	19-AA0000-JTX	RES. SMD 0 OHM 1/16W +/-5%
R317	19-AA0101-JTX	RES. SMD 100 OHM 1/16W +/-5%
R327	19-AA0330-JTX	RES. SMD 33 OHM 1/16W +/-5%
REM301	02-IRR005-XX4	IR RECEIVER MODULE AT138BV3T-12P

SWITCH CRYSTAL CONNECTOR & IC

CN301	46-FH025T-04K	HS 4P PH-4Y/JC20-4Y L=250
CN303	46-FH015T-10K	HS 10P PH-10Y/JC20-10Y L=150
K302	48-TAC020-XX0	SWITCH TACT TSAB-1
K303	48-TAC020-XX0	SWITCH TACT TSAB-1
K304	48-TAC020-XX0	SWITCH TACT TSAB-1
U301	13-0SS312-00B	VFD DRIVER IC S0792GB
VFD	14-VFD520-DX0	VFD VFD20-0707FN

DIODE

D301	10-1N4148-ABX	DIODE 1N4148 (SWITCHING)
D302	14-LED03R-XX0	LED RED HFR303J(R)(3mm)

ELECTRICAL PARTS LIST-SWITCH BOARD

CN302	46-35135W-04X	PIN BASE PH-04AW
K301	48-TAC020-XX0	SWITCH TACT TSAB-1

Note: Only the parts mentioned in this list are normal service spare parts.

Service Engineer Remarks:

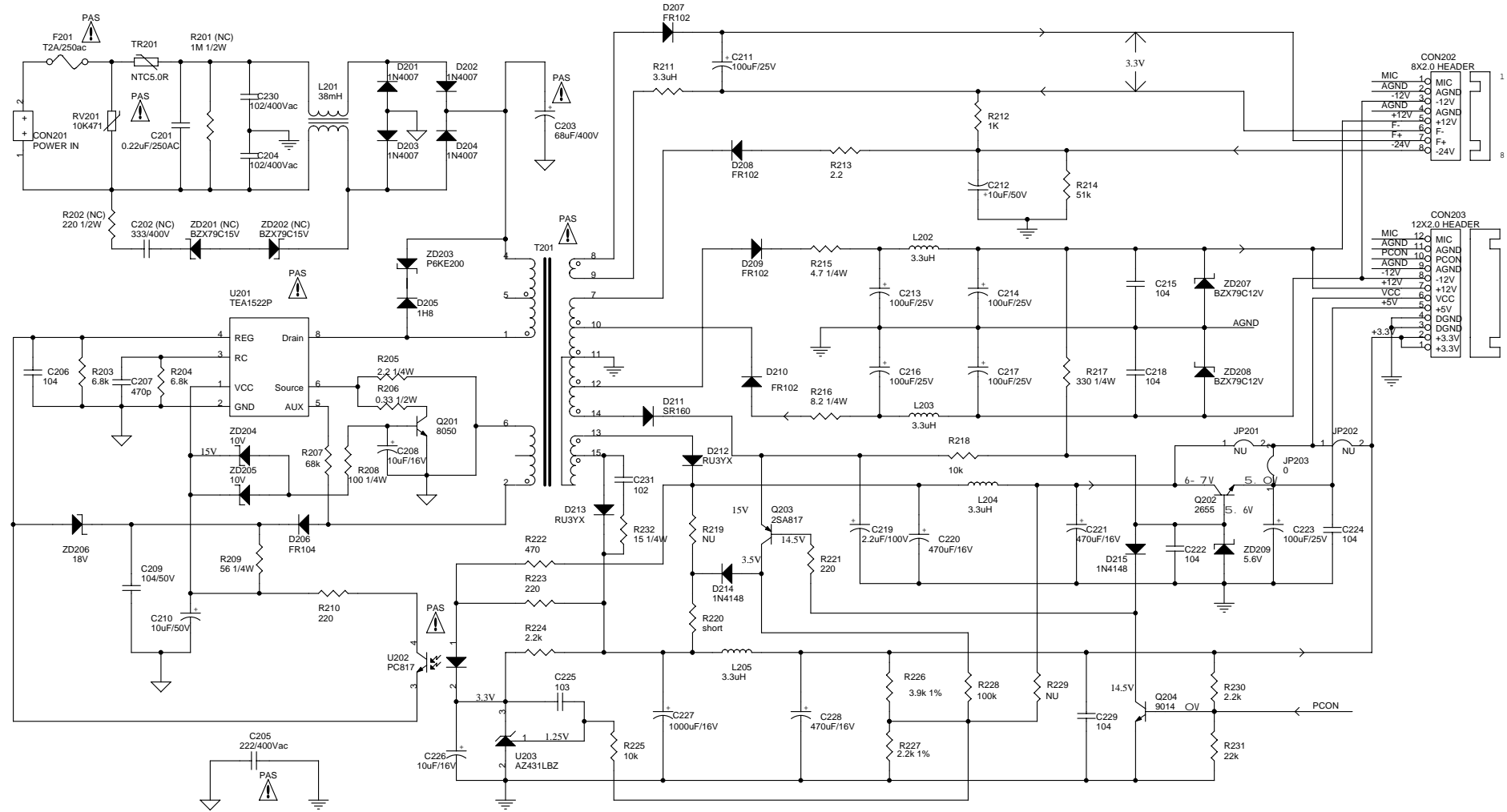
POWER BOARD

TABLE OF CONTENTS

. Power Board-Circuit Diagram.....	7-3
. Power Board-Component Layout.....	7-4
. Electrical Parts List.....	7-5

Service Engineer Remarks:

DVP520 POWER SUPPLY

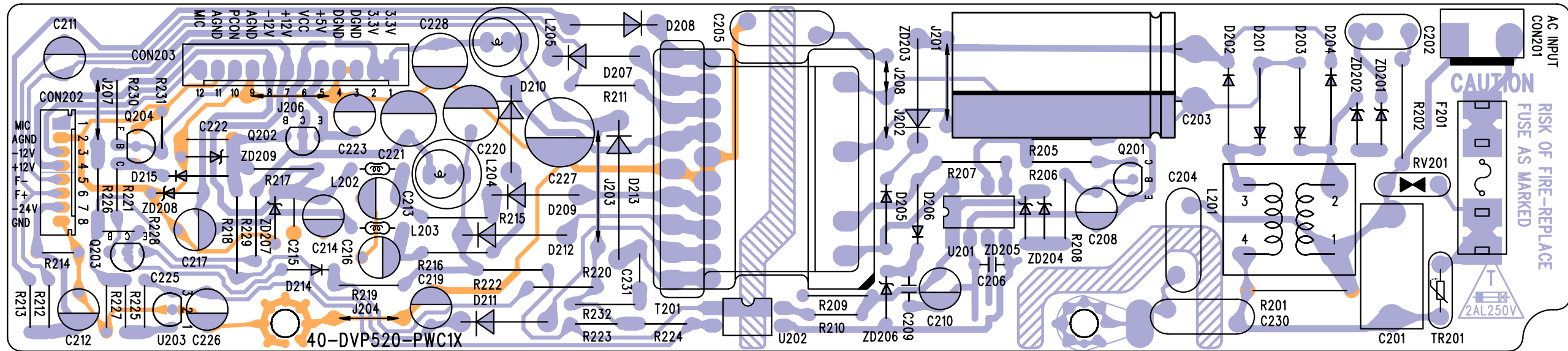


*** CAUTION :**
 THE PARTS MARKED WITH  ARE IMPORTANT PARTS ON THE SAFETY.
 PLEASE USE THE PARTS HAVING THE DESIGNATED PARTS NUMBER WITHOUT FAIL.

	Open	Stuff
With VFD, Without Karaoke		CON202(5-8), CON203(1-10)
With VFD and Karaoke		CON202(1-8), CON203(1-12)
With LED and Karaoke	D207, D208, R211, R212 R213, R214, C211, C212	CON202(1-4), CON203(1-12)

- C201 B2
- C202 B2
- C203 B3
- C204 B2
- C205 D2
- C206 C1
- C207 C2
- C208 C3
- C209 D2
- C210 D2
- C211 B4
- C212 B5
- C213 B5
- C214 B5
- C215 B6
- C216 C5
- C217 C5
- C218 C6
- C219 C5
- C220 C5
- C221 C6
- C222 C6
- C223 C6
- C224 C7
- C225 D4
- C226 D3
- C227 D4
- C228 D5
- C229 D6
- C302 B2
- C303 C4
- D201 B3
- D202 B3
- D203 B3
- D204 B3
- D205 C3
- D206 C3
- D207 A4
- D208 B4
- D209 B4
- D210 C4
- D211 C4
- D212 C4
- D213 C4
- D214 D4
- D215 D6
- F201 A2
- JP201 C6
- JP202 C7
- JP203 C6
- L201 B3
- L202 B5
- L203 C5
- L204 C5
- L205 D4
- Q201 C3
- Q202 C6
- Q203 C4
- Q204 D6
- R201 B2
- R202 B2
- R203 C2
- R204 C2
- R205 C3
- R206 C3
- R207 C3
- R208 C3
- R209 D2
- R210 D3
- R211 B4
- R212 B5
- R213 B5
- R214 B6
- R215 B5
- R216 C5
- R217 C6
- R218 C5
- R219 C4
- R220 D4
- R221 D5
- R222 D4
- R223 D4
- R224 D5
- R225 D4
- R226 D5
- R227 D5
- R228 D5
- R229 D6
- R230 D6
- R231 D6
- RV201 B2
- TR201 B2
- T201 C4
- U201 C2
- U202 D3
- U203 D3
- ZD201 B2
- ZD202 B3
- ZD203 B3
- ZD204 C3
- ZD205 C3
- ZD206 C2
- ZD207 C6
- ZD208 C6
- ZD209 D6
- CON201 B1
- CON202 B7
- CON203 C7

POWER BOARD



Electrical Parts List-Power Board

CAPACITORS

C201	27-MDK104-MVX	CAP. M.P.E 0.1UF 250VAC +/-20%
C203	25-BMF470-M1X	CAP. ELEC 47UF 400V +/-20%
C204	26-APK102-MEX	CAP. CER 1000PF 400VAC +/-20%E
C205	26-APK222-MEX	CAP. CER 2200PF 400VAC +/-20% E
C206	26-EBP104-ZFX	CAP. CER 0.1UF 50V +80%/-20%
C207	28-BB0471-JCX	SMD. CAP 470pF 50V +/-5%
C208	25-BCB100-M1X	CAP. ELEC 10 UF 16V +/-20%
C209	26-EBP104-ZFX	CAP. CER 0.1UF 50V +80%/-20%
C210	25-BFB100-M1X	CAP. ELEC 10 UF 50V +/-20%
C211	25-BDB101-M1X	CAP. ELEC 100 UF 25V +/-20%
C212	25-BFB100-M1X	CAP. ELEC 10 UF 50V +/-20%
C213	25-BDB101-M1X	CAP. ELEC 100 UF 25V +/-20%
C214	25-BDB101-M1X	CAP. ELEC 100 UF 25V +/-20%
C215	26-EBP104-ZFX	CAP. CER 0.1UF 50V +80%/-20%
C216	25-BDB101-M1X	CAP. ELEC 100 UF 25V +/-20%
C217	25-BDB101-M1X	CAP. ELEC 100 UF 25V +/-20%
C218	28-BB0104-ZFX	SMD CAP. 0.1 UF 50V +80/-20% 0805
C219	25-BHB109-M1X	CAP. ELEC 1 UF 100V +/-20%
C220	25-BCB471-M1X	CAP. ELEC 470 UF 16V +/-20%
C221	25-BCB471-M1X	CAP. ELEC 470 UF 16V +/-20%
C222	26-EBP104-ZFX	CAP. CER 0.1UF 50V +80%/-20%
C223	25-BDB101-M1X	CAP. ELEC 100 UF 25V +/-20%
C224	28-BB0104-ZFX	SMD CAP. 0.1 UF 50V +80/-20% 0805
C225	26-EBP103-ZFX	CAP. CER 0.01UF 50V +80/-20% F
C226	25-BCB100-M1X	CAP. ELEC 10 UF 16V +/-20%
C227	25-BCA102-M1X	CAP. ELEC 1000 UF 16V +/-20%
C228	25-BCB471-M1X	CAP. ELEC 470 UF 16V +/-20%
C229	28-BB0104-ZFX	SMD CAP. 0.1 UF 50V +80/-20% 0805
C230	26-APK102-MEX	CAP. CER 1000PF 400VAC +/-20%E
C231	26-ABC102-KBX	CAP. CER 1000PF 50V +/-10% B

CONNECTOR

CON201	46-35063W-03X	PIN BASE *3 VH-3A
CON202	46-35199W-04X	CONN.PH-4A 4PIN PITCH=2.0MM
CON203	46-31516H-10X	HS 2468#24 100 TJC3-10Y/SCN-10

FUSE

F201	50-02000D-1GS	FUSE 2.0AT 250VAC
------	---------------	-------------------

DIODE

D201	10-1N4007-EBX	DIODE 1N4007
D202	10-1N4007-EBX	DIODE 1N4007
D203	10-1N4007-EBX	DIODE 1N4007
D204	10-1N4007-EBX	DIODE 1N4007
D205	10-0001H8-FBX	DIODE 1H8 (FAST RECOVERY)
D206	10-0FR104-FBX	DIODE FR104 (FAST RECTIFIER)
D207	10-0FR102-FBX	DIODE FR102 (1A/100V)
D208	10-0FR102-FBX	DIODE FR102 (1A/100V)
D209	10-0FR102-FBX	DIODE FR102 (1A/100V)
D210	10-0FR102-FBX	DIODE FR102 (1A/100V)
D211	10-0FR102-FBX	DIODE FR102 (1A/100V)
D212	10-0RU3YX-F0X	DIODE RU3YX (FAST RECTIFIER)
D213	10-0RU3YX-F0X	DIODE RU3YX (FAST RECTIFIER)
D214	41-WJ0075-B00	WIRE BARE JUMPER 7.5MM
D215	10-1N4148-ABX	DIODE 1N4148 (SWITCHING)
ZD203	10-P6KE20-0AX	DIODE P6KE200A
ZD204	10-79C12V-DBX	DIODE ZENER 12V 1/2W 5%
ZD205	10-79C12V-DBX	DIODE ZENER 12V 1/2W 5%
ZD207	10-79C12V-DBX	DIODE ZENER 12V 1/2W 5%
ZD208	10-79C12V-DBX	DIODE ZENER 12V 1/2W 5%
ZD209	10-79C5V6-DBX	DIODE ZENER 5V6 1/2W 5%

WIRE BARE JUMPER

J201	41-WJ0125-B00	WIRE BARE JUMPER 12.5MM
J203	41-WJ0175-B00	WIRE BARE JUMPER 17.5MM
J204	41-WJ0100-B00	WIRE BARE JUMPER 10MM
J206	41-WJ0125-B00	WIRE BARE JUMPER 12.5MM
J207	41-WJ0100-B00	WIRE BARE JUMPER 10MM
J208	41-WJ0060-B00	WIRE BARE JUMPER 6mm
JP203	19-BB0000-JTX	SMD. RES 0 OHM 1/10W +/-5%

INDUCTANCE

L201	36-LIF015-XX0	LINE FILTER 2*38MH
L202	34-A339K0-11X	COIL CHOKE 3.3 UH +/-10%
L203	34-A339K0-11X	COIL CHOKE 3.3 UH +/-10%
L204	36-WID339-XX0	COIL WIDTH SG03745
L205	36-WID339-XX0	COIL WIDTH SG03745

RESISTORS

R203	19-BB0682-JTX	SMD. RES 6.8k OHM 1/10W +/-5%
R204	19-BB0682-JTX	SMD. RES 6.8k OHM 1/10W +/-5%
R205	18-CD0229-JNX	RES. C.F. 2.2 OHM 1/4W +/-5%
R206	18-RE0228-JAX	RES.C.C. 1/2W 0.22 OHM +/-5%
R207	18-CB0683-JNX	RES. C.F. 68k OHM 1/6W +/-5%
R208	18-CD0101-JNX	RES. C.F. 100 OHM 1/4W +/-5%
R209	18-CD0560-JNX	RES. C.F. 56 OHM 1/4W +/-5%
R210	18-CB0221-JNX	RES. C.F. 220 OHM 1/6W +/-5%
R211	34-A339K0-1IX	COIL CHOKE 3.3 UH +/-10%
R212	18-CB0102-JNX	RES. C.F. 1k OHM 1/6W +/-5%
R213	18-CB0229-JNX	RES. C.F. 2.2 OHM 1/6W +/-5%
R214	18-CB0513-JNX	RES. C.F. 51k OHM 1/6W +/-5%
R215	18-CD0479-JNX	RES. C.F. 4.7 OHM 1/4W +/-5%
R216	18-CD0829-JNX	RES. C.F. 8.2 OHM 1/4W +/-5%
R217	18-CD0331-JNX	RES. C.F. 330 OHM 1/4W +/-5%
R218	18-CB0103-JNX	RES. C.F. 10K OHM 1/6W +/-5%
R220	18-CD0229-JNX	RES. C.F. 2.2 OHM 1/4W +/-5%
R221	18-CB0221-JNX	RES. C.F. 220 OHM 1/6W +/-5%
R222	18-CB0471-JNX	RES. C.F. 470 OHM 1/6W +/-5%
R223	18-CB0221-JNX	RES. C.F. 220 OHM 1/6W +/-5%
R224	18-CB0222-JNX	RES. C.F. 2.2k OHM 1/6W +/-5%
R225	18-CB0103-JNX	RES. C.F. 10K OHM 1/6W +/-5%
R226	18-DB0432-FNX	RES. M.F. 4.3k OHM 1/6W +/-1%
R227	18-DB0222-FNX	RES. M.F. 2.2k OHM 1/6W +/-1%
R228	18-CB0333-JNX	RES. C.F. 33K OHM 1/6W +/-5%
R230	18-CB0222-JNX	RES. C.F. 2.2k OHM 1/6W +/-5%
R231	18-CB0223-JNX	RES. C.F. 22k OHM 1/6W +/-5%
R232	18-CD0100-JNX	RES. C.F. 10 OHM 1/4W +/-5%
RV201	22-VDR471-XX2	VARISTOR RESISTANCE FNR-10K471

IC& VARIOUS

T201	36-TRF145-XX0	TRANSFORMER CONV. SG03696
TR201	22-NTC509-XX1	NTC DTC5D2-11
U201	13-TEA152-2PP	IC TEA1522P
U202	13-PC123X-9YP	PHOTOCOUPLER PC123X9YFZ
U203	13-AZ431L-BZT	IC AZ431LBZ

TRANSISTORS

Q201	11-0S8050-CBX	TRANSISTOR S8050C
Q202	11-SC2655-YBX	TRANSISTOR 2SC2655-Y
Q203	11-2SA817-AAX	TRANSISTOR 2SA817AY
Q204	11-DG9014-CBX	TRANSISTOR 3DG9014-C (NPN)

Note: Only the parts mentioned in this list are normal service spare parts.

MAIN BOARD

TABLE OF CONTENTS

. Index & Power ,Reset-Circuit Diagram.....	8-3
. RF AMP & SERVO- Circuit Diagram.....	8-4
. MPEG & SERVO- Circuit Diagram.....	8-5
. SDRAM & Flash/EEPROM- Circuit Diagram.....	8-6
. Audio D/A & Video Filter- Circuit Diagram.....	8-7
. Audio Filter & Output- Circuit Diagram.....	8-8
. Main board Component & Chip Layout.....	8-9
. Electrical Parts List.....	8-11

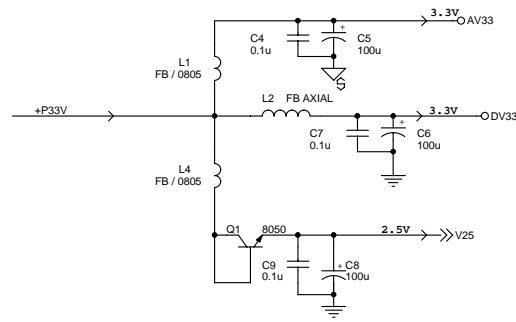
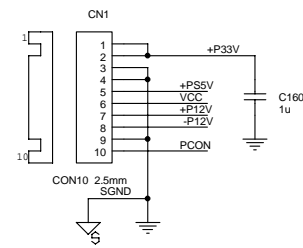
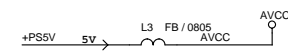
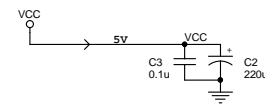
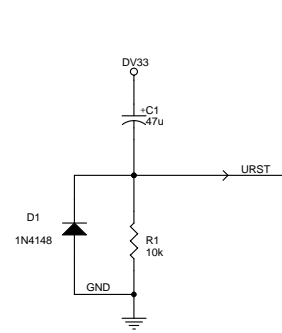
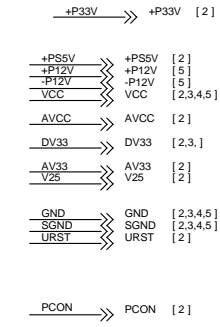
Service Engineer Remarks:

INDEX & POWER,RESET

- 1 INDEX & POWER, RESET
- 2 RF / SERVO - MT1336E(Version C)
- 3 MPEG - MT1379AE(version C)
- 4 MEMORY - SDRAM, FLASH/EEPROM
- 5 AUDIO - AK4382, VIDEO FILTER
- 6 AUDIO FILTER/OUT PUT

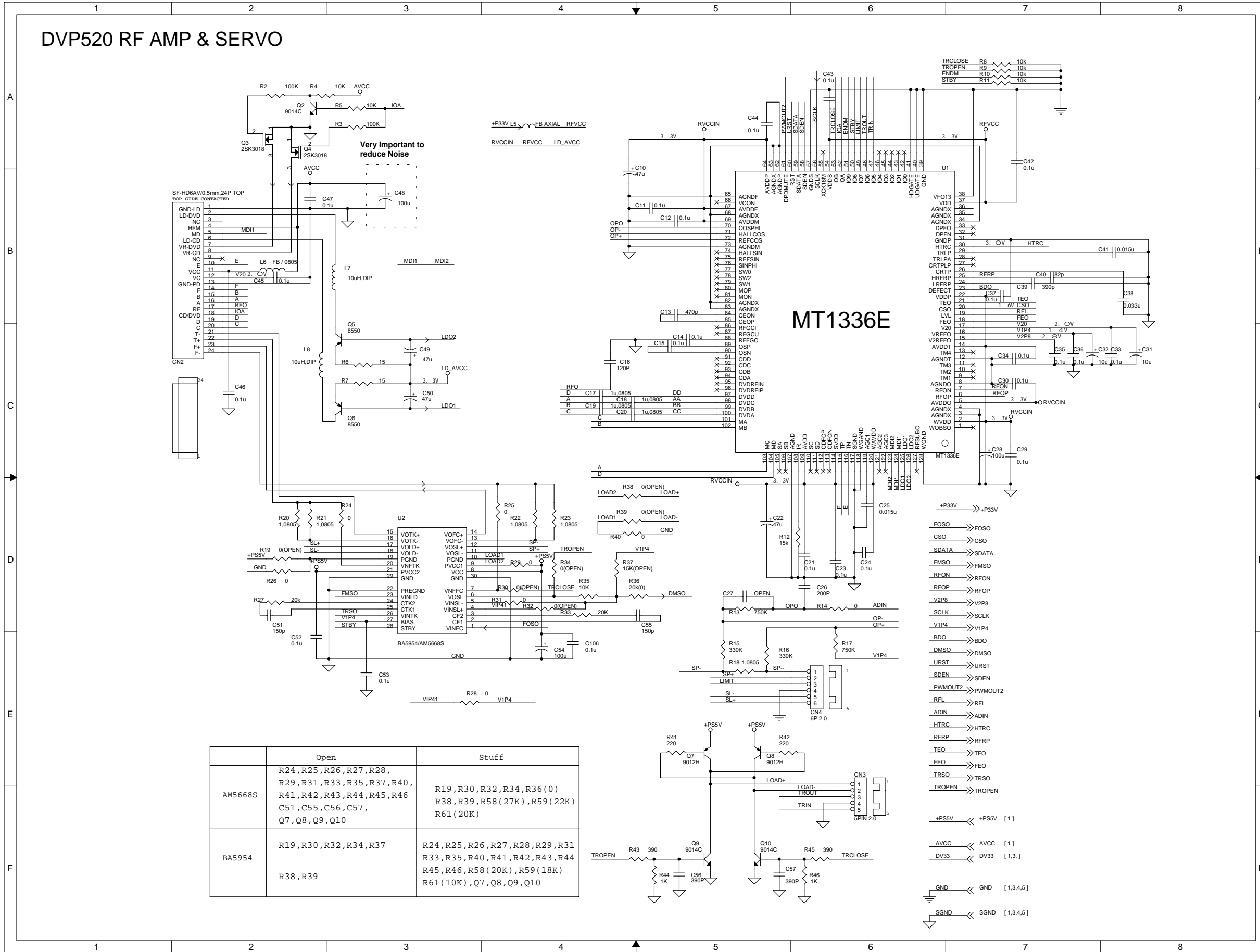
NAME	TYPE	DEVICE
VCC	Digital 5V	SUPPLY
RVCC	Servo 5V	MT1336E
AVCC	RF 5V	PICKUP HEADER
V33	Digital 3.3V	SDRAM, Flash, VideoDAC
DV33	Digital 3.3V	MT1379AE
AV33	Servo 3.3V	MT1379AE
V25	Digital 2.5V	MT1379AE
+5VA	Audio 5V	Audio DAC
+5VV	Video 5V	Video FILTER
+/-12V	Audio 12V	Audio filter

NAME	TYPE
GND	Digital Ground
SGND	Servo Analog Ground
AGND	Audio Ground
VGND	Video Ground



- CN1 E3
- R1 D3
- D1 D3
- C1 D3
- C2 C5
- C3 C5
- C4 E5
- C5 E5
- C6 E5
- C7 E5
- C8 E5
- C9 E5
- C160 E3
- L1 E5
- L2 E5
- L3 D5
- L4 E5
- Q1 E5

DVP520 RF AMP & SERVO

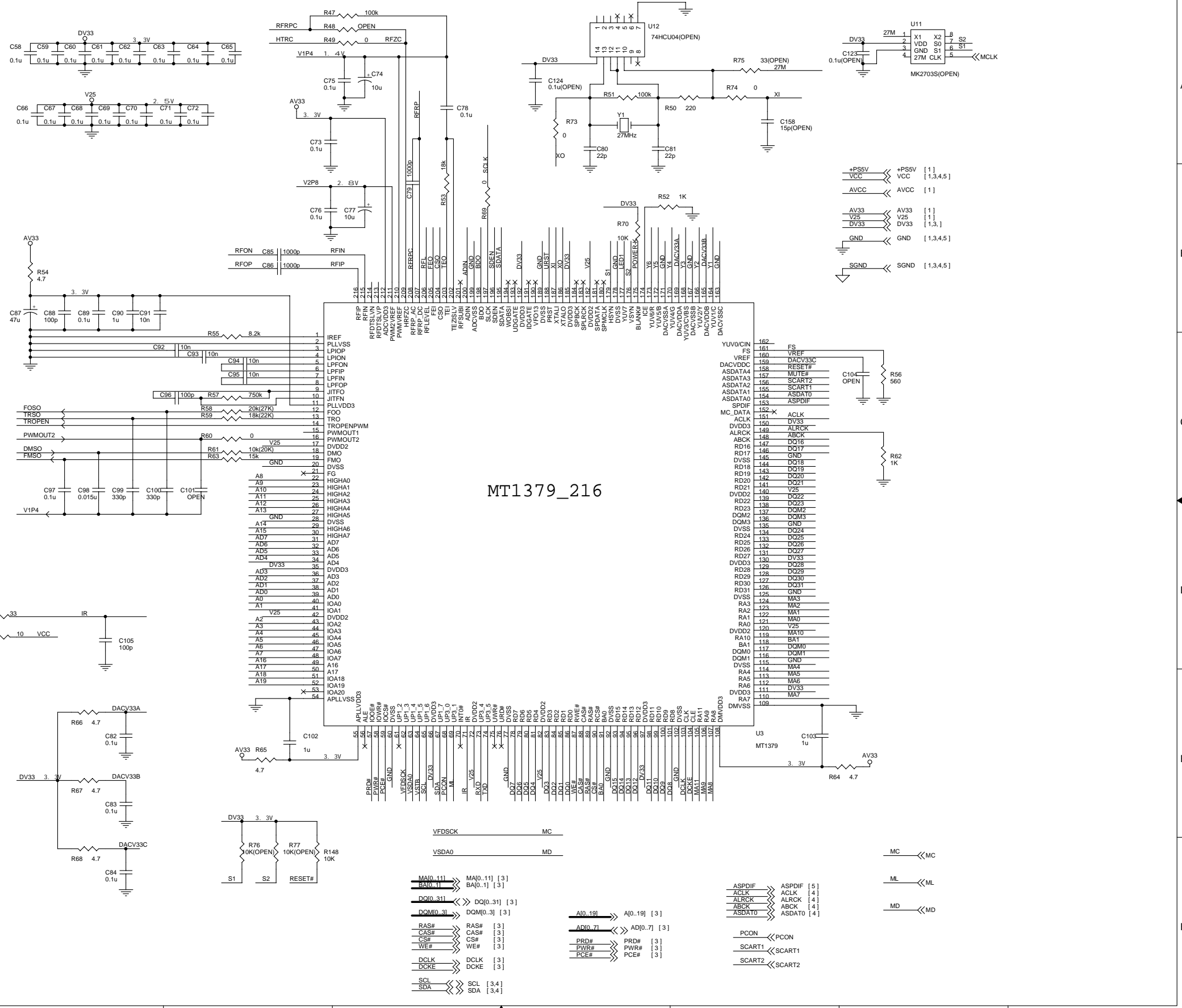


	Open	Stuff
AM5668S	R24, R25, R26, R27, R28, R29, R31, R33, R35, R37, R40, R41, R42, R43, R44, R45, R46 C51, C55, C56, C57, Q7, Q8, Q9, Q10	R19, R30, R32, R34, R36(0) R38, R39, R58(27K), R59(22K) R61(20K)
BA5954	R19, R30, R32, R34, R37 R38, R39	R24, R25, R26, R27, R28, R29, R31 R33, R35, R40, R41, R42, R43, R44 R45, R46, R58(20K), R59(18K) R61(10K), Q7, Q8, Q9, Q10

- CN2 B2
- CN3 F6
- CN4 E6
- C10 A5
- C11 B5
- C12 B5
- C13 B5
- C14 C5
- C15 C5
- C16 C5
- C17 C4
- C18 C5
- C19 C4
- C20 C5
- C21 D6
- C22 D5
- C23 D6
- C24 D6
- C25 D6
- C26 D6
- C27 D5
- C28 C7
- C29 C7
- C30 C7
- C31 C8
- C32 C7
- C33 C8
- C34 C7
- C35 C7
- C36 C7
- C37 B7
- C38 B8
- C39 B7
- C40 B7
- C41 B8
- C42 A7
- C43 A6
- C44 A5
- C45 B2
- C46 C2
- C47 B2
- C48 B3
- C49 C3
- C50 C3
- C51 D2
- C52 E3
- C53 E3
- C54 E4
- C55 D5
- C56 F5
- C57 F6
- C106 E4
- L5 A4
- L6 B2
- L7 B3
- L8 C3
- Q2 A2
- Q3 A2
- Q4 A2
- Q5 C3
- Q6 C3
- Q7 E5
- Q8 E5
- Q9 F5
- Q10 F5
- R2 A2
- R3 A3
- R4 A3
- R5 A3
- R6 C3
- R7 C3
- R8 A7
- R9 A7
- R10 A7
- R11 A7
- R12 D6
- R13 D5
- R14 D6
- R16 E5
- R17 E6
- R18 E5
- R19 D2
- R20 D2
- R22 D4
- R23 D4
- R24 D3
- R25 D3
- R26 D2
- R27 D2
- R28 E2
- R29 D4
- R30 D4
- R31 D4
- R32 D4
- R33 D4
- R34 D4
- R35 D4
- R36 D5
- R37 D5
- R38 D5
- R39 D5
- R40 D5
- R41 E5
- R42 E6
- R43 F5
- R44 F5
- R45 F6
- R46 F6
- U1 C6
- U2 D3

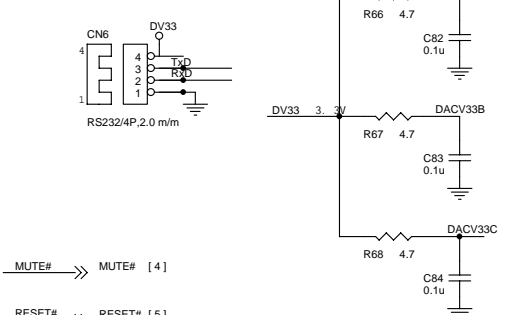
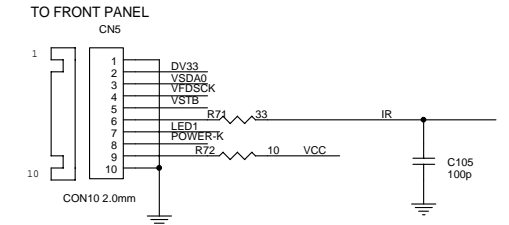
MPEG & SERVO

- [2] FOSO >> FOSO
- [2] CSO >> CSO
- [2] SDATA >> SDATA
- [2] FMSO >> FMSO
- [2] RFON >> RFON
- [2] RFOP >> RFOP
- [2] V2P8 >> V2P8
- [2] SCLK >> SCLK
- [2] V1P4 >> V1P4
- [2] BDO >> BDO
- [2] DMSO >> DMSO
- [2] URST >> URST
- [2] SDEN >> SDEN
- [2] PWMOUT2 >> PWMOUT2
- [2] RFL >> RFL
- [2] ADIN >> ADIN
- [2] HTRC >> HTRC
- [2] RFRP >> RFRP
- [2] TEO >> TEO
- [2] FEO >> FEO
- [2] TRSO >> TRSO
- [2] TROPEN >> TROPEN
- PCON >> PCON



- CN5 D1
- CN6 E1
- C58 A2
- C59 A2
- C60 A2
- C61 A2
- C62 A2
- C63 A3
- C64 A3
- C65 A3
- C66 A2
- C67 A2
- C68 A2
- C69 A2
- C70 A2
- C71 A3
- C72 A3
- C73 A3
- C74 A4
- C75 A4
- C76 B4
- C77 B4
- C78 A4
- C79 B4
- C80 A5
- C81 A5
- C82 E2
- C83 E2
- C84 F2
- C85 B3
- C86 B3
- C87 B2
- C88 B2
- C89 B2
- C90 B2
- C91 B2
- C92 C3
- C93 C3
- C94 C3
- C95 C3
- C96 C3
- C97 C2
- C98 C2
- C99 C2
- C100 C3
- C101 C3
- C102 E3
- C103 E6
- C104 C7
- C105 D2
- C123 A7
- C124 A5
- C158 A6
- R47 A4
- R48 A4
- R49 A4
- R50 A6
- R51 A5
- R52 B5
- R53 B4
- R54 B2
- R55 C3
- R56 C7
- R57 C3
- R58 C3
- R59 C3
- R60 C3
- R61 C3
- R62 C7
- R63 C3
- R64 E6
- R65 E3
- R66 E2
- R67 E2
- R68 F2
- R69 B4
- R70 B5
- R71 D2
- R72 D2
- R73 A5
- R74 A6
- R75 A6
- R76 F3
- R77 F3
- R148 F3
- U3 C5
- U11 A7
- Y1 A5

MT1379_216



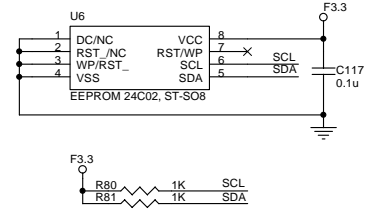
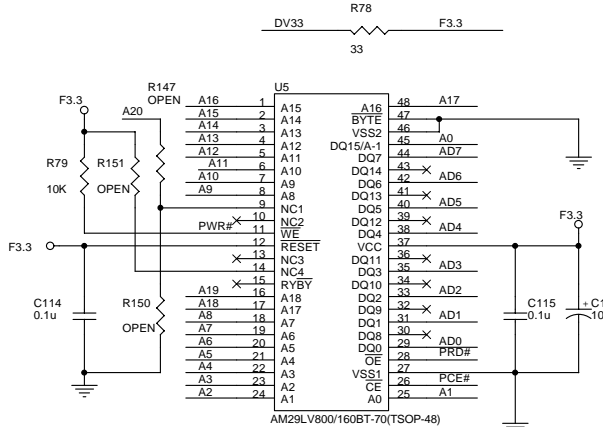
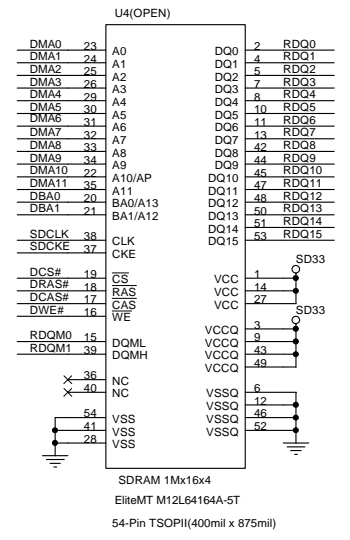
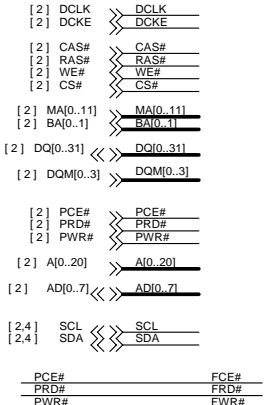
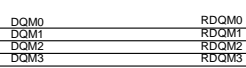
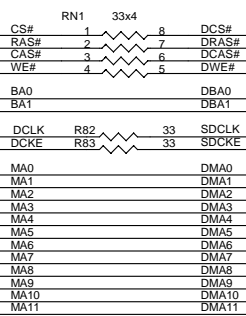
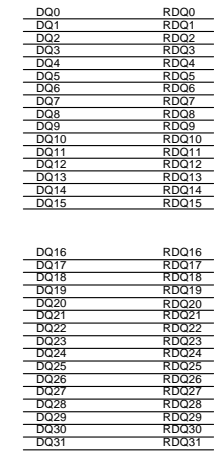
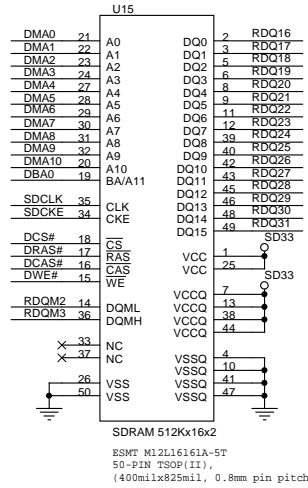
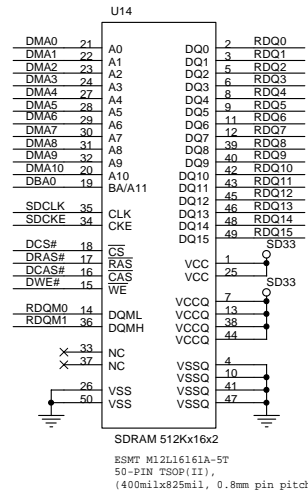
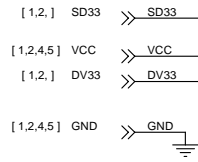
- MUTE# >> MUTE# [4]
- RESET# >> RESET# [5]
- URST << URST [1]
- Y1.6I >> Y1.6 [4]

- VFDSCCK << MC
- VSDA0 << MD
- MA[0..11] << MA[0..11] [3]
- BA[0..11] << BA[0..11] [3]
- DC[0..31] << DC[0..31] [3]
- DM[0..3] << DM[0..3] [3]
- AI[0..19] << AI[0..19] [3]
- AD[0..7] << AD[0..7] [3]
- PRD# << PRD# [3]
- PWR# << PWR# [3]
- PCE# << PCE# [3]
- DCLK << DCLK [3]
- DCKE << DCKE [3]
- SCL << SCL [3,4]
- SDA << SDA [3,4]

- ASPDIF << ASPDIF [5]
- ACLK << ACLK [4]
- ALRCK << ALRCK [4]
- ABCK << ABCK [4]
- ASDAT0 << ASDAT0 [4]
- PCON << PCON
- SCART1 << SCART1
- SCART2 << SCART2

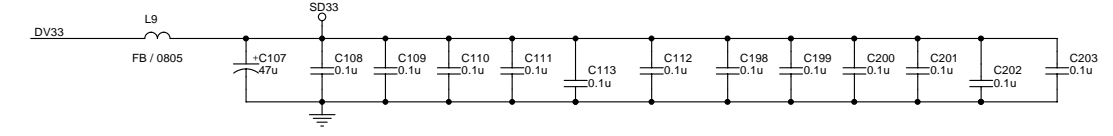
- MC << MC
- ML << ML
- MD << MD

520 SDRAM & FLASH/EEPROM

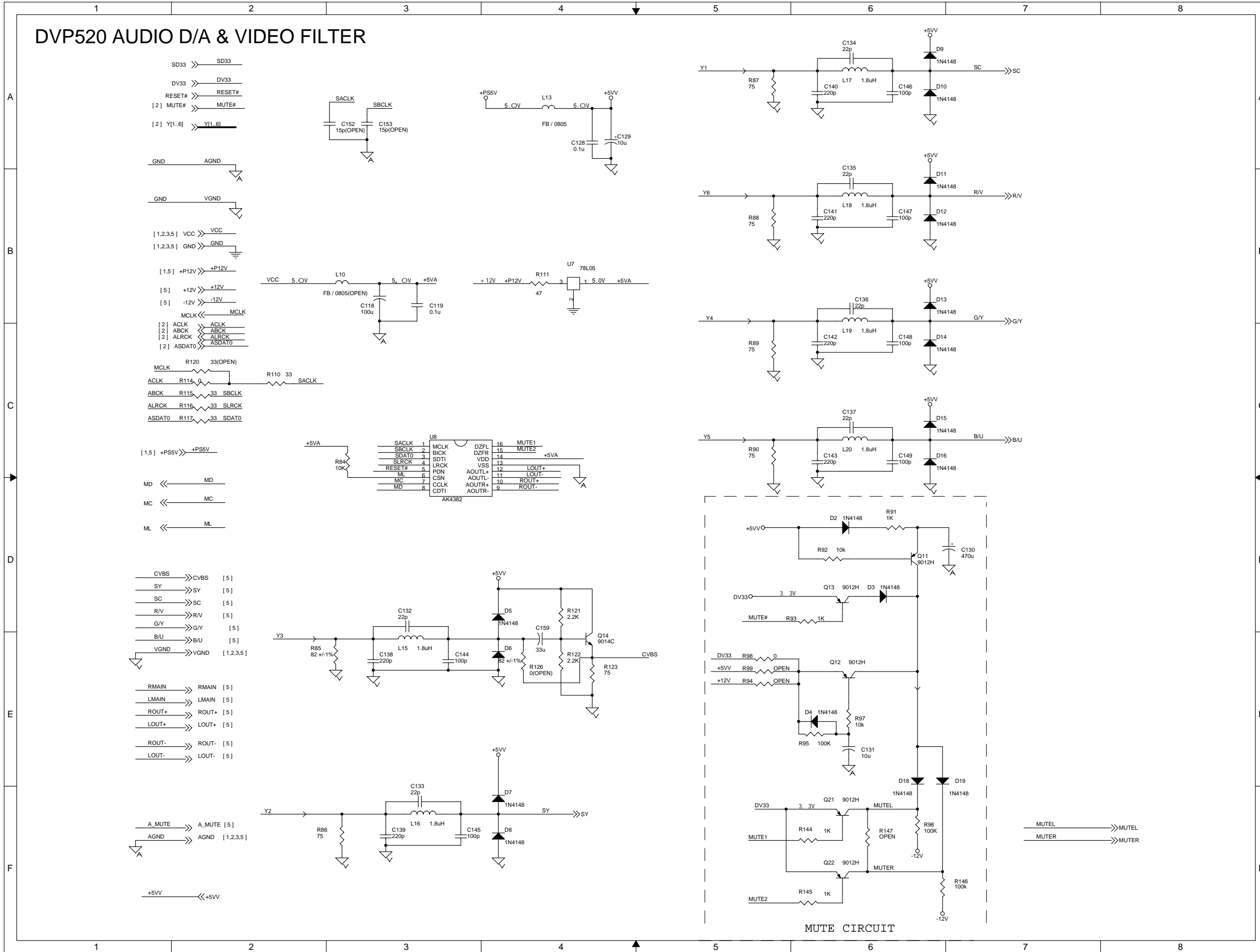


	OPEN	STUFF
8M FLASH	R147 R150 R151	
16M FLASH	R147	R150 0 R151 0

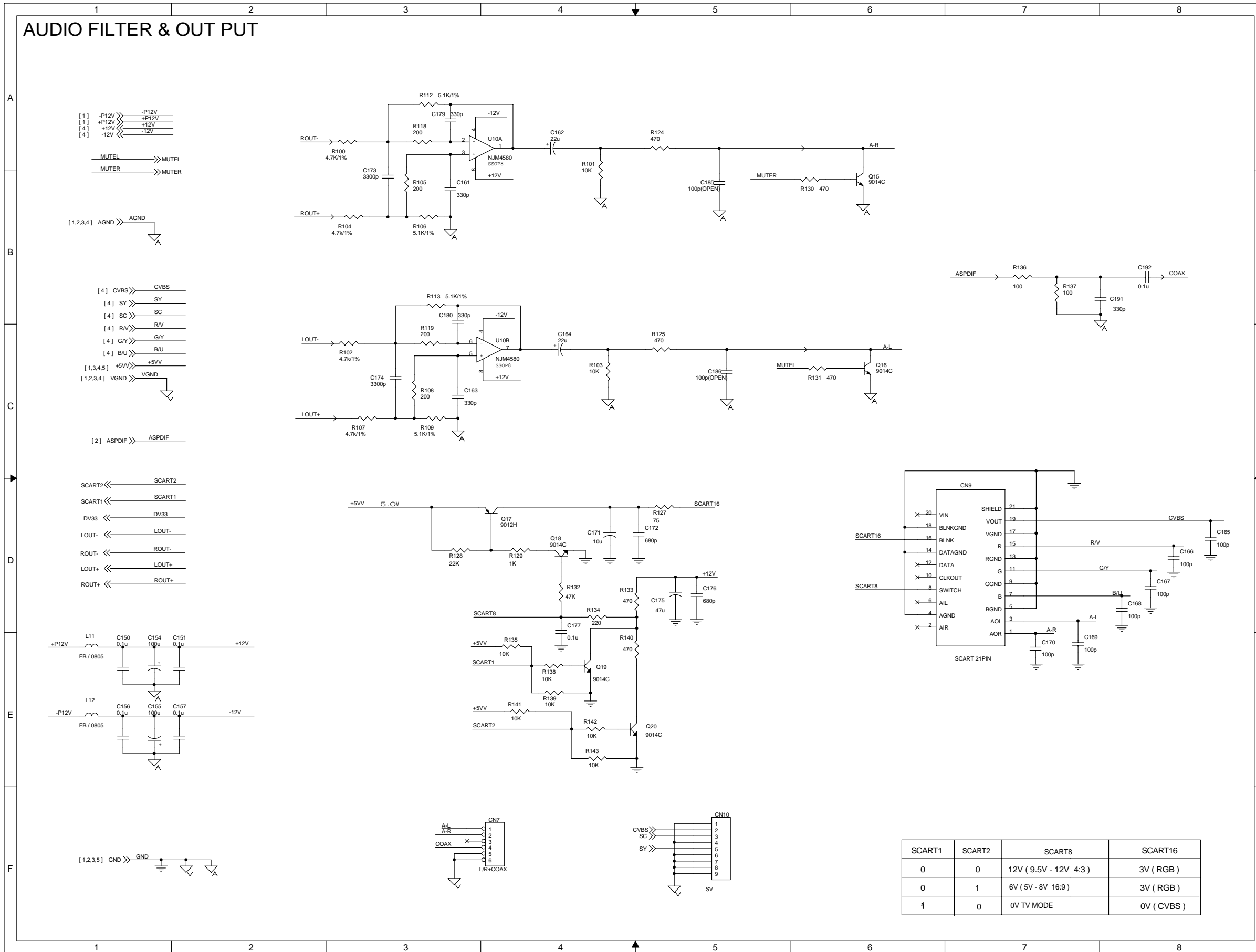
- C107 F2
- C108 F2
- C109 F2
- C110 F2
- C112 F3
- C113 F3
- C114 D4
- C115 E6
- C116 E6
- C117 D7
- C198 F3
- C200 F4
- C201 F4
- C202 F4
- C203 F4
- R78 D5
- R79 D4
- R80 E7
- R81 E7
- R82 C7
- R83 C7
- R147 D4
- R150 E4
- R151 D4
- U6 D7
- U5 D5
- U4 D3
- U14 B3
- U15 B5
- L9 F2



DVP520 AUDIO D/A & VIDEO FILTER



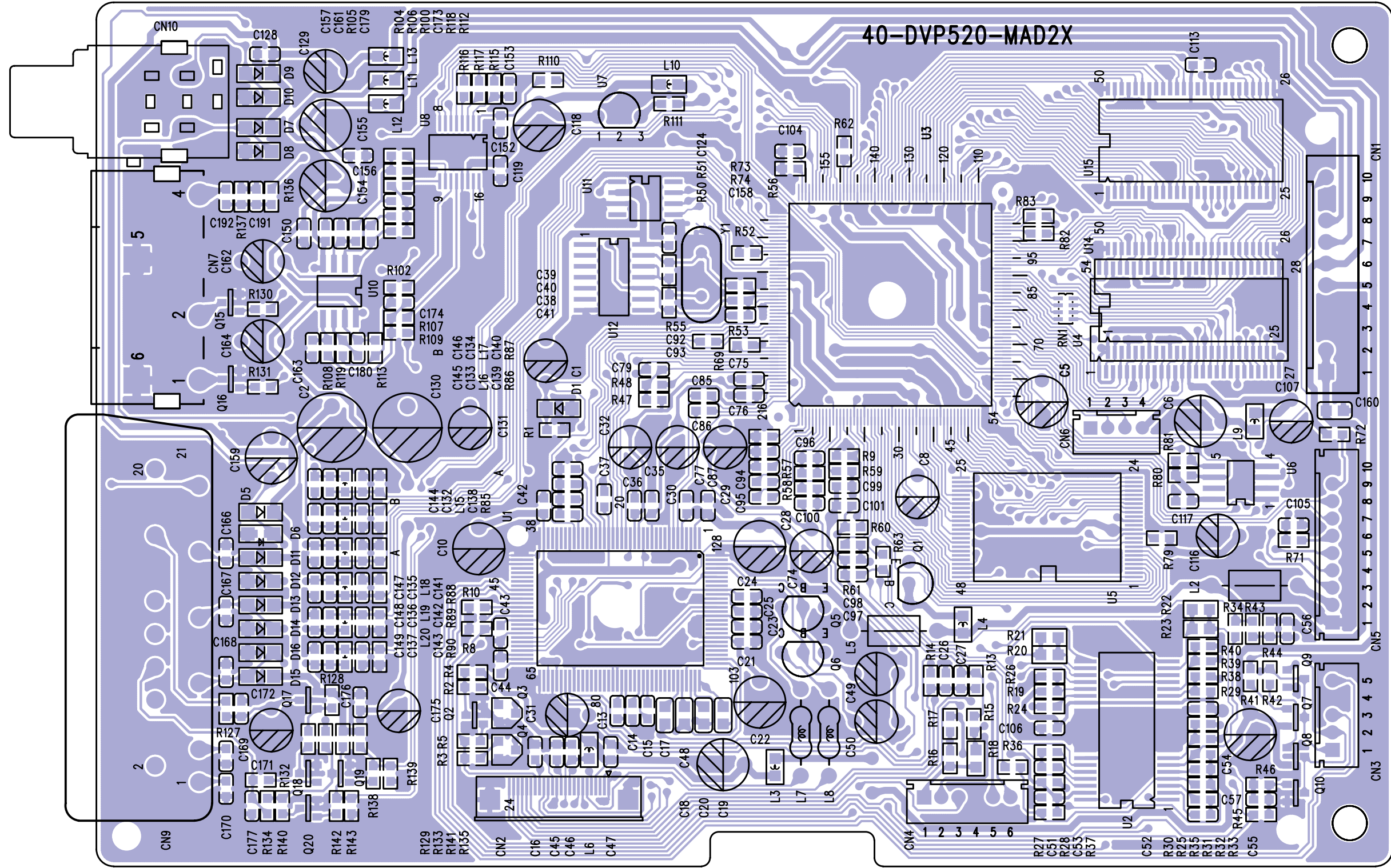
AUDIO FILTER & OUT PUT



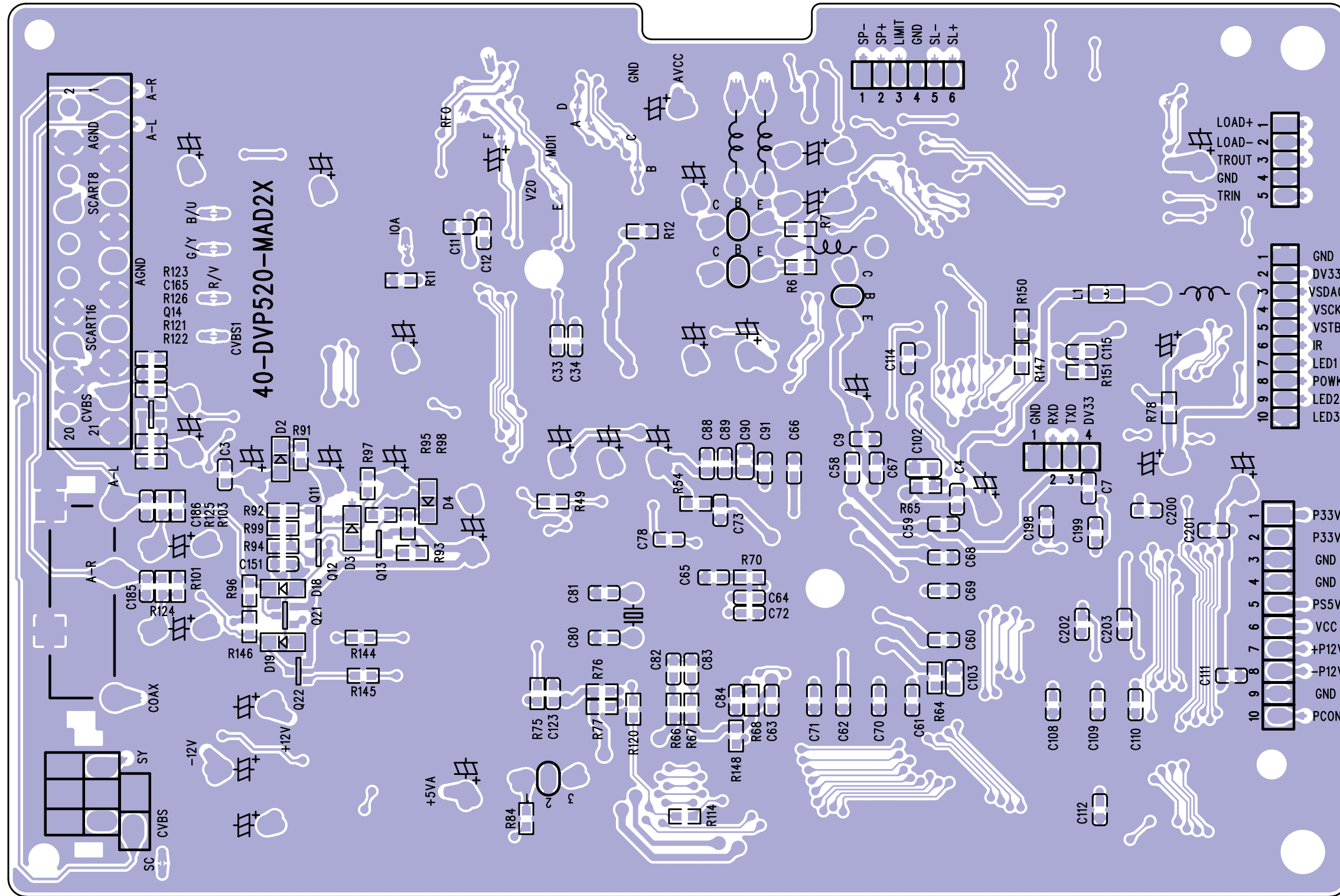
- C150 E1
- C151 E2
- C154 E1
- C155 E1
- C156 E1
- C157 E2
- C161 A3
- C162 A4
- C163 B3
- C164 B4
- C165 E5
- C166 E5
- C167 F5
- C168 F4
- C169 F4
- C170 F4
- C171 C4
- C172 C4
- C173 A3
- C174 B3
- C175 C5
- C176 C5
- C177 D4
- C179 A3
- C180 B3
- C185 A5
- C186 B5
- C191 A8
- C192 A8
- CN7 C6
- CN9 E3
- CN10 D6
- U10 A3
- L11 E1
- L12 E1
- Q15 A6
- Q16 B6
- Q17 C4
- Q18 C4
- Q19 D4
- Q20 D4
- R100 A3
- R101 A4
- R102 B3
- R103 B4
- R104 A3
- R105 A3
- R106 A3
- R107 C3
- R108 B3
- R109 C3
- R112 A3
- R113 B3
- R118 A3
- R119 B3
- R124 A5
- R125 B5
- R127 C5
- R128 C3
- R129 C4
- R130 A6
- R131 B6
- R132 D4
- R133 D4
- R134 D4
- R135 A7
- R136 A7
- R137 A7
- R138 D4
- R139 D4
- R140 D4
- R141 D4
- R142 D4
- R143 E4

SCART1	SCART2	SCART8	SCART16
0	0	12V (9.5V - 12V 4:3)	3V (RGB)
0	1	6V (5V - 8V 16:9)	3V (RGB)
1	0	0V TV MODE	0V (CVBS)

MAIN BOARD (Top Side)



MAIN BOARD (Bottom Side)



CAPACITORS

C1	25-BCB470-M1X	CAP. ELEC 47 UF 16V +/-20%	C146	28-AB0101-JCX	SMD. CAP 100 pF 50VDC +/-5%
C10	25-BCB470-M1X	CAP. ELEC 47 UF 16V +/-20%	C147	28-AB0101-JCX	SMD. CAP 100 pF 50VDC +/-5%
C100	28-AB0331-JCX	SMD. CAP 330 pF 50V +/-5% 0603	C148	28-AB0101-JCX	SMD. CAP 100 pF 50VDC +/-5%
C102	28-BD0105-ZFX	SMD CAP 1UF 25V +80-20%	C149	28-AB0101-JCX	SMD. CAP 100 pF 50VDC +/-5%
C103	28-BD0105-ZFX	SMD CAP 1UF 25V +80-20%	C15	28-AB0104-ZFX	SMD. CAP 0.1 UF 50V +80%-20% 0603
C105	28-AB0101-JCX	SMD. CAP 100 pF 50VDC +/-5%	C150	28-AB0104-ZFX	SMD. CAP 0.1 UF 50V +80%-20% 0603
C106	28-AB0104-ZFX	SMD. CAP 0.1 UF 50V +80%-20% 0603	C151	28-AB0104-ZFX	SMD. CAP 0.1 UF 50V +80%-20% 0603
C107	25-BCB470-M1X	CAP. ELEC 47 UF 16V +/-20%	C152	28-AB0150-JCX	CAP.SMD 15P 50V +/-5% 0603
C108	28-AB0104-ZFX	SMD. CAP 0.1 UF 50V +80%-20% 0603	C153	28-AB0150-JCX	CAP.SMD 15P 50V +/-5% 0603
C109	28-AB0104-ZFX	SMD. CAP 0.1 UF 50V +80%-20% 0603	C154	25-BCB101-M1X	CAP. ELEC 100 UF 16V +/-20%
C11	28-AB0104-ZFX	SMD. CAP 0.1 UF 50V +80%-20% 0603	C155	25-BCB101-M1X	CAP. ELEC 100 UF 16V +/-20%
C110	28-AB0104-ZFX	SMD. CAP 0.1 UF 50V +80%-20% 0603	C156	28-AB0104-ZFX	SMD. CAP 0.1 UF 50V +80%-20% 0603
C111	28-AB0104-ZFX	SMD. CAP 0.1 UF 50V +80%-20% 0603	C157	28-AB0104-ZFX	SMD. CAP 0.1 UF 50V +80%-20% 0603
C112	28-AB0104-ZFX	SMD. CAP 0.1 UF 50V +80%-20% 0603	C158	28-AB0150-JCX	CAP.SMD 15P 50V +/-5% 0603
C113	28-AB0104-ZFX	SMD. CAP 0.1 UF 50V +80%-20% 0603	C159	25-BCB330-M1X	CAP. ELEC 33 UF 16V +/-20%
C114	28-AB0104-ZFX	SMD. CAP 0.1 UF 50V +80%-20% 0603	C16	28-AB0121-JCX	SMD. CAP 120 pF 50V 0603 +/-5%
C115	28-AB0104-ZFX	SMD. CAP 0.1 UF 50V +80%-20% 0603	C160	28-BD0105-ZFX	SMD CAP 1UF 25V +80-20%
C116	25-BCB100-M1X	CAP. ELEC 10 UF 16V +/-20%	C161	28-AB0331-JCX	SMD. CAP 330 pF 50V +/-5% 0603
C117	28-AB0104-ZFX	SMD. CAP 0.1 UF 50V +80%-20% 0603	C162	25-BCB220-M1X	CAP. ELEC 22 UF 16V +/-20%
C118	25-BCB101-M1X	CAP. ELEC 100 UF 16V +/-20%	C163	28-AB0331-JCX	SMD. CAP 330 pF 50V +/-5% 0603
C119	28-AB0104-ZFX	SMD. CAP 0.1 UF 50V +80%-20% 0603	C164	25-BCB220-M1X	CAP. ELEC 22 UF 16V +/-20%
C12	28-AB0104-ZFX	SMD. CAP 0.1 UF 50V +80%-20% 0603	C165	28-AB0101-JCX	SMD. CAP 100 pF 50VDC +/-5%
C124	28-AB0104-ZFX	SMD. CAP 0.1 UF 50V +80%-20% 0603	C166	28-AB0101-JCX	SMD. CAP 100 pF 50VDC +/-5%
C128	28-AB0104-ZFX	SMD. CAP 0.1 UF 50V +80%-20% 0603	C167	28-AB0101-JCX	SMD. CAP 100 pF 50VDC +/-5%
C129	25-BCB100-M1X	CAP. ELEC 10 UF 16V +/-20%	C168	28-AB0101-JCX	SMD. CAP 100 pF 50VDC +/-5%
C13	28-AB0471-JCX	CAP.SMD 470PF 50V +/-5% 0603	C169	28-AB0101-JCX	SMD. CAP 100 pF 50VDC +/-5%
C130	25-BCB471-M1X	CAP. ELEC 470 UF 16V +/-20%	C17	28-BD0105-ZFX	SMD CAP 1UF 25V +80-20%
C131	25-BCB100-M1X	CAP. ELEC 10 UF 16V +/-20%	C170	28-AB0101-JCX	SMD. CAP 100 pF 50VDC +/-5%
C132	28-AB0220-JCX	CAP. SMD 22PF 50V +/-5% C	C171	25-BCB100-M1X	CAP. ELEC 10 UF 16V +/-20%
C133	28-AB0220-JCX	CAP. SMD 22PF 50V +/-5% C	C172	28-AB0681-JCX	SMD. CAP 680 pF 50V +/-5% 0603
C134	28-AB0220-JCX	CAP. SMD 22PF 50V +/-5% C	C173	28-AB0332-KBX	CAP.SMD 3300PF 50V +/-10% 0603
C135	28-AB0220-JCX	CAP. SMD 22PF 50V +/-5% C	C174	28-AB0332-KBX	CAP.SMD 3300PF 50V +/-10% 0603
C136	28-AB0220-JCX	CAP. SMD 22PF 50V +/-5% C	C175	25-BCB470-M1X	CAP. ELEC 47 UF 16V +/-20%
C137	28-AB0220-JCX	CAP. SMD 22PF 50V +/-5% C	C176	28-AB0681-JCX	SMD. CAP 680 pF 50V +/-5% 0603
C138	28-AB0221-JCX	CAP.SMD 220PF 50V C 0603 +/-5%	C177	28-AB0104-ZFX	SMD. CAP 0.1 UF 50V +80%-20% 0603
C139	28-AB0221-JCX	CAP.SMD 220PF 50V C 0603 +/-5%	C179	28-AB0331-JCX	SMD. CAP 330 pF 50V +/-5% 0603
C14	28-AB0104-ZFX	SMD. CAP 0.1 UF 50V +80%-20% 0603	C18	28-BD0105-ZFX	SMD CAP 1UF 25V +80-20%
C140	28-AB0221-JCX	CAP.SMD 220PF 50V C 0603 +/-5%	C180	28-AB0331-JCX	SMD. CAP 330 pF 50V +/-5% 0603
C141	28-AB0221-JCX	CAP.SMD 220PF 50V C 0603 +/-5%	C19	28-BD0105-ZFX	SMD CAP 1UF 25V +80-20%
C142	28-AB0221-JCX	CAP.SMD 220PF 50V C 0603 +/-5%	C191	28-AB0331-JCX	SMD. CAP 330 pF 50V +/-5% 0603
C143	28-AB0221-JCX	CAP.SMD 220PF 50V C 0603 +/-5%	C192	28-AB0104-ZFX	SMD. CAP 0.1 UF 50V +80%-20% 0603
C144	28-AB0101-JCX	SMD. CAP 100 pF 50VDC +/-5%	C198	28-AB0104-ZFX	SMD. CAP 0.1 UF 50V +80%-20% 0603
C145	28-AB0101-JCX	SMD. CAP 100 pF 50VDC +/-5%	C199	28-AB0104-ZFX	SMD. CAP 0.1 UF 50V +80%-20% 0603

C2	25-BCB221-M1X	CAP. ELEC 220 UF 16V +/-20%	C56	28-AB0391-JCX	CAP.SMD 390P 50V +/-5% 0603
C20	28-BD0105-ZFX	SMD CAP 1UF 25V +80-20%	C57	28-AB0391-JCX	CAP.SMD 390P 50V +/-5% 0603
C200	28-AB0104-ZFX	SMD. CAP 0.1 UF 50V +80%-20% 0603	C58	28-AB0104-ZFX	SMD. CAP 0.1 UF 50V +80%-20% 0603
C201	28-AB0104-ZFX	SMD. CAP 0.1 UF 50V +80%-20% 0603	C59	28-AB0104-ZFX	SMD. CAP 0.1 UF 50V +80%-20% 0603
C202	28-AB0104-ZFX	SMD. CAP 0.1 UF 50V +80%-20% 0603	C6	25-BCB101-M1X	CAP. ELEC 100 UF 16V +/-20%
C203	28-AB0104-ZFX	SMD. CAP 0.1 UF 50V +80%-20% 0603	C60	28-AB0104-ZFX	SMD. CAP 0.1 UF 50V +80%-20% 0603
C21	28-AB0104-ZFX	SMD. CAP 0.1 UF 50V +80%-20% 0603	C61	28-AB0104-ZFX	SMD. CAP 0.1 UF 50V +80%-20% 0603
C22	25-BCB470-M1X	CAP. ELEC 47 UF 16V +/-20%	C62	28-AB0104-ZFX	SMD. CAP 0.1 UF 50V +80%-20% 0603
C23	28-AB0104-ZFX	SMD. CAP 0.1 UF 50V +80%-20% 0603	C63	28-AB0104-ZFX	SMD. CAP 0.1 UF 50V +80%-20% 0603
C24	28-AB0104-ZFX	SMD. CAP 0.1 UF 50V +80%-20% 0603	C64	28-AB0104-ZFX	SMD. CAP 0.1 UF 50V +80%-20% 0603
C25	28-AB0153-ZFX	SMD. CAP 0.015 UF 50V 0603 F	C65	28-AB0104-ZFX	SMD. CAP 0.1 UF 50V +80%-20% 0603
C26	28-AB0201-JCX	CAP.SMD 200PF 50V +/-5% 0603	C66	28-AB0104-ZFX	SMD. CAP 0.1 UF 50V +80%-20% 0603
C28	25-BCB101-M1X	CAP. ELEC 100 UF 16V +/-20%	C67	28-AB0104-ZFX	SMD. CAP 0.1 UF 50V +80%-20% 0603
C29	28-AB0104-ZFX	SMD. CAP 0.1 UF 50V +80%-20% 0603	C68	28-AB0104-ZFX	SMD. CAP 0.1 UF 50V +80%-20% 0603
C3	28-AB0104-ZFX	SMD. CAP 0.1 UF 50V +80%-20% 0603	C69	28-AB0104-ZFX	SMD. CAP 0.1 UF 50V +80%-20% 0603
C30	28-AB0104-ZFX	SMD. CAP 0.1 UF 50V +80%-20% 0603	C7	28-AB0104-ZFX	SMD. CAP 0.1 UF 50V +80%-20% 0603
C31	25-BCB100-M1X	CAP. ELEC 10 UF 16V +/-20%	C70	28-AB0104-ZFX	SMD. CAP 0.1 UF 50V +80%-20% 0603
C32	25-BCB100-M1X	CAP. ELEC 10 UF 16V +/-20%	C71	28-AB0104-ZFX	SMD. CAP 0.1 UF 50V +80%-20% 0603
C33	28-AB0104-ZFX	SMD. CAP 0.1 UF 50V +80%-20% 0603	C72	28-AB0104-ZFX	SMD. CAP 0.1 UF 50V +80%-20% 0603
C34	28-AB0104-ZFX	SMD. CAP 0.1 UF 50V +80%-20% 0603	C73	28-AB0104-ZFX	SMD. CAP 0.1 UF 50V +80%-20% 0603
C35	28-AB0104-ZFX	SMD. CAP 0.1 UF 50V +80%-20% 0603	C74	25-BCB100-M1X	CAP. ELEC 10 UF 16V +/-20%
C36	28-AB0104-ZFX	SMD. CAP 0.1 UF 50V +80%-20% 0603	C75	28-AB0104-ZFX	SMD. CAP 0.1 UF 50V +80%-20% 0603
C37	28-AB0104-ZFX	SMD. CAP 0.1 UF 50V +80%-20% 0603	C76	28-AB0104-ZFX	SMD. CAP 0.1 UF 50V +80%-20% 0603
C38	28-AB0333-ZFX	CAP.SMD 0.033UF 50V 80-20 0603	C77	25-BCB100-M1X	CAP. ELEC 10 UF 16V +/-20%
C39	28-AB0391-JCX	CAP.SMD 390P 50V +/-5% 0603	C78	28-AB0104-ZFX	SMD. CAP 0.1 UF 50V +80%-20% 0603
C4	28-AB0104-ZFX	SMD. CAP 0.1 UF 50V +80%-20% 0603	C79	28-AB0102-KBX	SMD. CAP 1000 pF 50V +/-10% B
C40	28-AB0820-JCX	SMD. CAP. 82 pF 50VDC +/-5% 0603	C8	25-BCB101-M1X	CAP. ELEC 100 UF 16V +/-20%
C41	28-AB0153-ZFX	SMD. CAP 0.015 UF 50V 0603 F	C80	28-AB0220-JCX	CAP. SMD 22PF 50V +/-5% C
C42	28-AB0104-ZFX	SMD. CAP 0.1 UF 50V +80%-20% 0603	C81	28-AB0220-JCX	CAP. SMD 22PF 50V +/-5% C
C43	28-AB0104-ZFX	SMD. CAP 0.1 UF 50V +80%-20% 0603	C82	28-AB0104-ZFX	SMD. CAP 0.1 UF 50V +80%-20% 0603
C44	28-AB0104-ZFX	SMD. CAP 0.1 UF 50V +80%-20% 0603	C83	28-AB0104-ZFX	SMD. CAP 0.1 UF 50V +80%-20% 0603
C45	28-AB0104-ZFX	SMD. CAP 0.1 UF 50V +80%-20% 0603	C84	28-AB0104-ZFX	SMD. CAP 0.1 UF 50V +80%-20% 0603
C46	28-AB0104-ZFX	SMD. CAP 0.1 UF 50V +80%-20% 0603	C85	28-AB0102-KBX	SMD. CAP 1000 pF 50V +/-10% B
C47	28-AB0104-ZFX	SMD. CAP 0.1 UF 50V +80%-20% 0603	C86	28-AB0102-KBX	SMD. CAP 1000 pF 50V +/-10% B
C48	25-BCB101-M1X	CAP. ELEC 100 UF 16V +/-20%	C87	25-BCB470-M1X	CAP. ELEC 47 UF 16V +/-20%
C49	25-BCB470-M1X	CAP. ELEC 47 UF 16V +/-20%	C88	28-AB0101-JCX	SMD. CAP 100 pF 50VDC +/-5%
C5	25-BCB101-M1X	CAP. ELEC 100 UF 16V +/-20%	C89	28-AB0104-ZFX	SMD. CAP 0.1 UF 50V +80%-20% 0603
C50	25-BCB470-M1X	CAP. ELEC 47 UF 16V +/-20%	C9	28-AB0104-ZFX	SMD. CAP 0.1 UF 50V +80%-20% 0603
C51	28-AB0151-JCX	SMD. CAP 150 pF 50V +/-5% C	C90	28-BD0105-ZFX	SMD CAP 1UF 25V +80-20%
C52	28-AB0104-ZFX	SMD. CAP 0.1 UF 50V +80%-20% 0603	C91	28-AB0103-ZFX	CAP.SMD 10NF 50V +80-20% 0603
C53	28-AB0104-ZFX	SMD. CAP 0.1 UF 50V +80%-20% 0603	C92	28-AB0103-ZFX	CAP.SMD 10NF 50V +80-20% 0603
C54	25-BCB101-M1X	CAP. ELEC 100 UF 16V +/-20%	C93	28-AB0103-ZFX	CAP.SMD 10NF 50V +80-20% 0603
C55	28-AB0151-JCX	SMD. CAP 150 pF 50V +/-5% C	C94	28-AB0103-ZFX	CAP.SMD 10NF 50V +80-20% 0603

C95	28-AB0103-ZFX	CAP.SMD 10NF 50V +80-20% 0603
C96	28-AB0101-JCX	SMD. CAP 100 pF 50VDC +/-5%
C97	28-AB0104-ZFX	SMD. CAP 0.1 UF 50V +80%-20% 0603
C98	28-AB0153-ZFX	SMD. CAP 0.015 UF 50V 0603 F
C99	28-AB0331-JCX	SMD. CAP 330 pF 50V +/-5% 0603

CONNECTOR

CN1	46-33079W-10X	PIN BASE *10 TJC3-10A
CN10	47-389910-03X	AV SOCKET
CN2	46-37146W-24X	PIN BASE FPC 0.5-SMT-24PW
CN3	46-35199W-05X	CONN.PH-5A 5PIN PITCH=2.0MM
CN4	46-35199W-06X	CONN.PH-6A 6PIN PITCH-2.0MM
CN5	46-35199W-10X	CONN. PH-10 10PIN PITCH=2.0mm
CN7	47-RCA131-XX0	JACK RCA RCA-353D4A01-170
CN9	47-SCA008-XX0	SCART SOCKET

DIODE

D1	09-LL4148-ATX	SMD. SWITCHING DIODE LL4148
D10	09-LL4148-ATX	SMD. SWITCHING DIODE LL4148
D11	09-LL4148-ATX	SMD. SWITCHING DIODE LL4148
D12	09-LL4148-ATX	SMD. SWITCHING DIODE LL4148
D13	09-LL4148-ATX	SMD. SWITCHING DIODE LL4148
D14	09-LL4148-ATX	SMD. SWITCHING DIODE LL4148
D15	09-LL4148-ATX	SMD. SWITCHING DIODE LL4148
D16	09-LL4148-ATX	SMD. SWITCHING DIODE LL4148
D18	09-LL4148-ATX	SMD. SWITCHING DIODE LL4148
D19	09-LL4148-ATX	SMD. SWITCHING DIODE LL4148
D2	09-LL4148-ATX	SMD. SWITCHING DIODE LL4148
D3	09-LL4148-ATX	SMD. SWITCHING DIODE LL4148
D4	09-LL4148-ATX	SMD. SWITCHING DIODE LL4148
D6	19-AA0820-FTX	SMD RES 82 OHM 1/16W +/-1%
D7	09-LL4148-ATX	SMD. SWITCHING DIODE LL4148
D8	09-LL4148-ATX	SMD. SWITCHING DIODE LL4148
D9	09-LL4148-ATX	SMD. SWITCHING DIODE LL4148

INDUCTANCE

L1	33-ELN501-NTX	CHIP BEAD 500 OHM +/-25%
L11	33-ELN501-NTX	CHIP BEAD 500 OHM +/-25%
L12	33-ELN501-NTX	CHIP BEAD 500 OHM +/-25%
L13	33-ELN501-NTX	CHIP BEAD 500 OHM +/-25%

L15	33-KLL189-KTX	SMD. COIL 1.8 UH +/-10% 0603
L16	33-KLL189-KTX	SMD. COIL 1.8 UH +/-10% 0603
L17	33-KLL189-KTX	SMD. COIL 1.8 UH +/-10% 0603
L18	33-KLL189-KTX	SMD. COIL 1.8 UH +/-10% 0603
L19	33-KLL189-KTX	SMD. COIL 1.8 UH +/-10% 0603
L2	35-339740-008	FERR BEAD BF40TA-3.5X6X1
L20	33-KLL189-KTX	SMD. COIL 1.8 UH +/-10% 0603
L3	33-ELN501-NTX	CHIP BEAD 500 OHM +/-25%
L4	33-ELN501-NTX	CHIP BEAD 500 OHM +/-25%
L5	35-339740-008	FERR BEAD BF40TA-3.5X6X1
L6	33-ELN501-NTX	CHIP BEAD 500 OHM +/-25%
L7	34-A100K0-11X	COIL CHOKE 10 UH +/-10%
L8	34-A100K0-11X	COIL CHOKE 10 UH +/-10%
L9	33-ELN501-NTX	CHIP BEAD 500 OHM +/-25%

TRANSISTORS

Q1	11-0S8050-CBX	TRANSISTOR S8050C
Q10	12-G9014M-CBX	TRANSISTOR SMT 3DG9014M
Q11	12-G9012M-HBX	TRANSISTOR SMT 3CG9012M
Q12	12-G9012M-HBX	TRANSISTOR SMT 3CG9012M
Q13	12-G9012M-HBX	TRANSISTOR SMT 3CG9012M
Q14	12-G9014M-CBX	TRANSISTOR SMT 3DG9014M
Q15	12-G9014M-CBX	TRANSISTOR SMT 3DG9014M
Q16	12-G9014M-CBX	TRANSISTOR SMT 3DG9014M
Q17	12-G9012M-HBX	TRANSISTOR SMT 3CG9012M
Q18	12-G9014M-CBX	TRANSISTOR SMT 3DG9014M
Q19	12-G9014M-CBX	TRANSISTOR SMT 3DG9014M
Q2	12-G9014M-CBX	TRANSISTOR SMT 3DG9014M
Q20	12-G9014M-CBX	TRANSISTOR SMT 3DG9014M
Q3	12-SK3018-0BX	TRANSISTOR 2SK3018T106
Q4	12-SK3018-0BX	TRANSISTOR 2SK3018T106
Q5	11-TC8550-CBX	TRANSISTOR KTC8550-C
Q6	11-TC8550-CBX	TRANSISTOR KTC8550-C
Q7	12-G9012M-HBX	TRANSISTOR SMT 3CG9012M
Q8	12-G9012M-HBX	TRANSISTOR SMT 3CG9012M
Q9	12-G9014M-CBX	TRANSISTOR SMT 3DG9014M

RESISTORS

R1	19-AA0103-JTX	RES. SMD 10K OHM 1/16W +/-5%	R14	19-AA0000-JTX	RES. SMD 0 OHM 1/16W +/-5%
R10	19-AA0103-JTX	RES. SMD 10K OHM 1/16W +/-5%	R140	19-AA0471-JTX	RES. SMD 470 OHM 1/16W +/-5%
R100	19-AA0472-FTX	RES. SMD 4.7K OHM 1/16W +/-1%	R141	19-AA0103-JTX	RES. SMD 10K OHM 1/16W +/-5%
R101	19-AA0103-JTX	RES. SMD 10K OHM 1/16W +/-5%	R142	19-AA0103-JTX	RES. SMD 10K OHM 1/16W +/-5%
R102	19-AA0472-FTX	RES. SMD 4.7K OHM 1/16W +/-1%	R143	19-AA0103-JTX	RES. SMD 10K OHM 1/16W +/-5%
R103	19-AA0103-JTX	RES. SMD 10K OHM 1/16W +/-5%	R148	19-AA0103-JTX	RES. SMD 10K OHM 1/16W +/-5%
R104	19-AA0472-FTX	RES. SMD 4.7K OHM 1/16W +/-1%	R15	19-AA0334-JTX	RES.SMD 330K 1/16W +/-5% 0603
R105	19-AA0201-JTX	SMD. RES 200 OHM 1/16W +/-5%	R16	19-AA0334-JTX	RES.SMD 330K 1/16W +/-5% 0603
R106	19-AA0512-FTX	RES.SMD 5.1K OHM 1/16W 1%	R17	19-AA0754-JTX	RES.SMD 750K 1/16W +/-5% 0603
R107	19-AA0472-FTX	RES. SMD 4.7K OHM 1/16W +/-1%	R18	19-BB0109-JTX	SMD. RES 1 OHM 1/10W +/-5% 0805
R108	19-AA0201-JTX	SMD. RES 200 OHM 1/16W +/-5%	R2	19-AA0104-JTX	RES. SMD 100K OHM 1/16W +/-5%
R109	19-AA0512-FTX	RES.SMD 5.1K OHM 1/16W 1%	R20	19-BB0109-JTX	SMD. RES 1 OHM 1/10W +/-5% 0805
R11	19-AA0103-JTX	RES. SMD 10K OHM 1/16W +/-5%	R21	19-BB0109-JTX	SMD. RES 1 OHM 1/10W +/-5% 0805
R110	19-AA0330-JTX	RES. SMD 33 OHM 1/16W +/-5%	R22	19-BB0109-JTX	SMD. RES 1 OHM 1/10W +/-5% 0805
R111	19-AA0121-JTX	SMD. RES 120 OHM 1/16W +/-5% 0603	R23	19-BB0109-JTX	SMD. RES 1 OHM 1/10W +/-5% 0805
R112	19-AA0512-FTX	RES.SMD 5.1K OHM 1/16W 1%	R24	19-AA0000-JTX	RES. SMD 0 OHM 1/16W +/-5%
R113	19-AA0512-FTX	RES.SMD 5.1K OHM 1/16W 1%	R25	19-AA0000-JTX	RES. SMD 0 OHM 1/16W +/-5%
R114	19-AA0000-JTX	RES. SMD 0 OHM 1/16W +/-5%	R26	19-AA0000-JTX	RES. SMD 0 OHM 1/16W +/-5%
R115	19-AA0330-JTX	RES. SMD 33 OHM 1/16W +/-5%	R27	19-AA0203-JTX	RES. SMD 20K OHM 1/16W +/-5%
R116	19-AA0330-JTX	RES. SMD 33 OHM 1/16W +/-5%	R28	19-AA0000-JTX	RES. SMD 0 OHM 1/16W +/-5%
R117	19-AA0330-JTX	RES. SMD 33 OHM 1/16W +/-5%	R29	19-AA0000-JTX	RES. SMD 0 OHM 1/16W +/-5%
R118	19-AA0201-JTX	SMD. RES 200 OHM 1/16W +/-5%	R3	19-AA0104-JTX	RES. SMD 100K OHM 1/16W +/-5%
R119	19-AA0201-JTX	SMD. RES 200 OHM 1/16W +/-5%	R31	19-AA0000-JTX	RES. SMD 0 OHM 1/16W +/-5%
R12	19-AA0153-JTX	RES.SMD 15K 1/16W 0603 +/-5%	R33	19-AA0203-JTX	RES. SMD 20K OHM 1/16W +/-5%
R121	19-AA0222-JTX	RES. SMD 2.2K OHM 1/16W +/-5%	R35	19-AA0103-JTX	RES. SMD 10K OHM 1/16W +/-5%
R122	19-AA0222-JTX	RES. SMD 2.2K OHM 1/16W +/-5%	R36	19-AA0203-JTX	RES. SMD 20K OHM 1/16W +/-5%
R123	19-AA0750-JTX	RES. SMD 75 OHM 1/16W +/-5%	R4	19-AA0103-JTX	RES. SMD 10K OHM 1/16W +/-5%
R124	19-AA0221-JTX	RES. SMD 220 OHM 1/16W +/-5%	R40	19-AA0000-JTX	RES. SMD 0 OHM 1/16W +/-5%
R125	19-AA0221-JTX	RES. SMD 220 OHM 1/16W +/-5%	R41	19-AA0221-JTX	RES. SMD 220 OHM 1/16W +/-5%
R127	19-AA0750-JTX	RES. SMD 75 OHM 1/16W +/-5%	R42	19-AA0221-JTX	RES. SMD 220 OHM 1/16W +/-5%
R128	19-AA0223-JTX	RES.SMD 22K 1/16W 0603 +/-5%	R43	19-AA0391-JTX	RES.SMD 390 1/16W +/-5% 0603
R129	19-AA0102-JTX	RES. SMD 1K OHM 1/16W +/-5%	R44	19-AA0102-JTX	RES. SMD 1K OHM 1/16W +/-5%
R13	19-AA0754-JTX	RES.SMD 750K 1/16W +/-5% 0603	R45	19-AA0391-JTX	RES.SMD 390 1/16W +/-5% 0603
R130	19-AA0471-JTX	RES. SMD 470 OHM 1/16W +/-5%	R46	19-AA0102-JTX	RES. SMD 1K OHM 1/16W +/-5%
R131	19-AA0471-JTX	RES. SMD 470 OHM 1/16W +/-5%	R47	19-AA0104-JTX	RES. SMD 100K OHM 1/16W +/-5%
R132	19-AA0473-JTX	RES.SMD 47K 1/16W 0603 +/-5%	R49	19-AA0000-JTX	RES. SMD 0 OHM 1/16W +/-5%
R133	19-AA0471-JTX	RES. SMD 470 OHM 1/16W +/-5%	R5	19-AA0103-JTX	RES. SMD 10K OHM 1/16W +/-5%
R134	19-AA0221-JTX	RES. SMD 220 OHM 1/16W +/-5%	R51	19-AA0104-JTX	RES. SMD 100K OHM 1/16W +/-5%
R135	19-AA0103-JTX	RES. SMD 10K OHM 1/16W +/-5%	R52	19-AA0102-JTX	RES. SMD 1K OHM 1/16W +/-5%
R136	19-AA0101-JTX	RES. SMD 100 OHM 1/16W +/-5%	R53	19-AA0183-JTX	RES. SMD 18K OHM 1/16W +/-5%
R137	19-AA0101-JTX	RES. SMD 100 OHM 1/16W +/-5%	R54	19-AA0479-JTX	RES.SMD 4.7 1/16W +/-5% 0603
R138	19-AA0103-JTX	RES. SMD 10K OHM 1/16W +/-5%	R55	19-AA0822-JTX	RES.SMD 8.2K 1/16W 0603 +/-5%
R139	19-AA0103-JTX	RES. SMD 10K OHM 1/16W +/-5%	R56	19-AA0561-FTX	RES SMD 560 OHM 1/16W +/-1%

RESISTORS

R57	19-AA0754-JTX	RES.SMD 750K 1/16W +/-5% 0603
R58	19-AA0203-JTX	RES. SMD 20K OHM 1/16W +/-5%
R59	19-AA0183-JTX	RES. SMD 18K OHM 1/16W +/-5%
R6	19-AA0150-JTX	SMD. RES 15 OHM 1/16W +/-5% 0603
R60	19-AA0000-JTX	RES. SMD 0 OHM 1/16W +/-5%
R61	19-AA0103-JTX	RES. SMD 10K OHM 1/16W +/-5%
R62	19-AA0102-JTX	RES. SMD 1K OHM 1/16W +/-5%
R63	19-AA0153-JTX	RES.SMD 15K 1/16W 0603 +/-5%
R64	19-AA0479-JTX	RES.SMD 4.7 1/16W +/-5% 0603
R65	19-AA0479-JTX	RES.SMD 4.7 1/16W +/-5% 0603
R66	19-AA0479-JTX	RES.SMD 4.7 1/16W +/-5% 0603
R67	19-AA0479-JTX	RES.SMD 4.7 1/16W +/-5% 0603
R68	19-AA0479-JTX	RES.SMD 4.7 1/16W +/-5% 0603
R69	19-AA0000-JTX	RES. SMD 0 OHM 1/16W +/-5%
R7	19-AA0150-JTX	SMD. RES 15 OHM 1/16W +/-5% 0603
R70	19-AA0103-JTX	RES. SMD 10K OHM 1/16W +/-5%
R71	19-AA0330-JTX	RES. SMD 33 OHM 1/16W +/-5%
R72	19-AA0100-JTX	RES. SMD 10 OHM 1/16W +/-5%
R74	19-AA0330-JTX	RES. SMD 33 OHM 1/16W +/-5%
R78	19-AA0330-JTX	RES. SMD 33 OHM 1/16W +/-5%
R79	19-AA0103-JTX	RES. SMD 10K OHM 1/16W +/-5%
R8	19-AA0103-JTX	RES. SMD 10K OHM 1/16W +/-5%
R80	19-AA0102-JTX	RES. SMD 1K OHM 1/16W +/-5%
R81	19-AA0102-JTX	RES. SMD 1K OHM 1/16W +/-5%
R82	19-AA0330-JTX	RES. SMD 33 OHM 1/16W +/-5%
R83	19-AA0330-JTX	RES. SMD 33 OHM 1/16W +/-5%
R84	19-AA0103-JTX	RES. SMD 10K OHM 1/16W +/-5%
R85	19-AA0820-FTX	SMD RES 82 OHM 1/16W +/-1%
R86	19-AA0750-JTX	RES. SMD 75 OHM 1/16W +/-5%
R87	19-AA0750-JTX	RES. SMD 75 OHM 1/16W +/-5%
R88	19-AA0750-JTX	RES. SMD 75 OHM 1/16W +/-5%
R89	19-AA0750-JTX	RES. SMD 75 OHM 1/16W +/-5%
R9	19-AA0103-JTX	RES. SMD 10K OHM 1/16W +/-5%
R90	19-AA0750-JTX	RES. SMD 75 OHM 1/16W +/-5%
R91	19-AA0102-JTX	RES. SMD 1K OHM 1/16W +/-5%
R92	19-AA0103-JTX	RES. SMD 10K OHM 1/16W +/-5%
R93	19-AA0102-JTX	RES. SMD 1K OHM 1/16W +/-5%
R95	19-AA0104-JTX	RES. SMD 100K OHM 1/16W +/-5%
R96	19-AA0104-JTX	RES. SMD 100K OHM 1/16W +/-5%
R97	19-AA0103-JTX	RES. SMD 10K OHM 1/16W +/-5%
R98	19-AA0000-JTX	RES. SMD 0 OHM 1/16W +/-5%
RN1	23-A08330-JBX	NETWORK RES. 33 OHM +/-5%

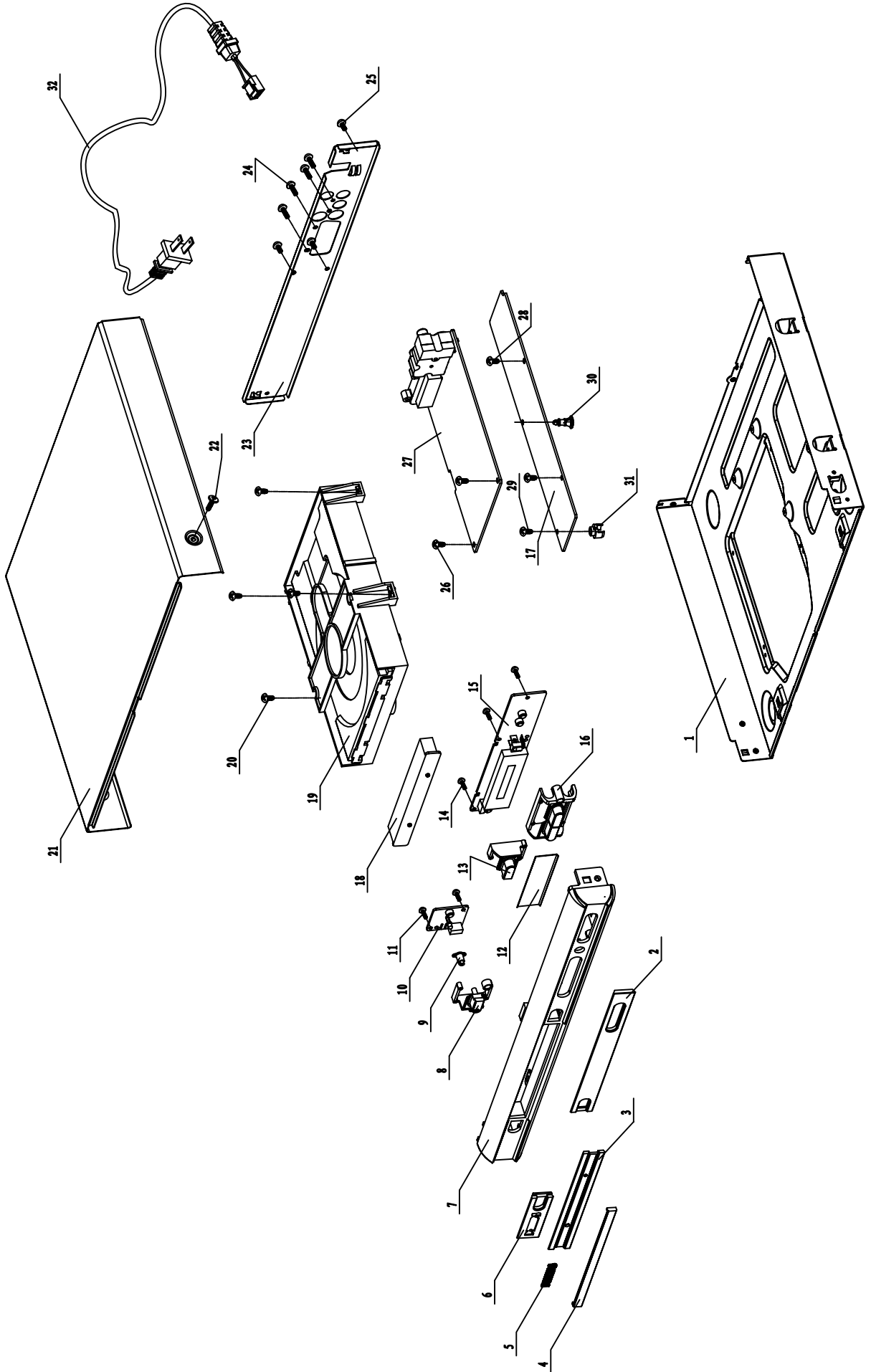
IC & VARIOUS

U1	13-MT1336-ECB	IC MT1336E
U10	13-NJM456-0MB	IC NJM4560M
U12	13-74HCU0-40B	IC 74HCU04 (SMD)
U14	13-0HY57V-16B	16M SDRAM HY57V161610C SMD
U15	13-0HY57V-16B	16M SDRAM HY57V161610C SMD
U2	13-BA5954-FPB	IC BA5954FP
U3	13-MT1379-ACB	IC MT1379AE
U5	13-LV800B-70B01	IC AM29LV800BB-70EI
U6	13-AT24C0-20B	IC AT24C02 SO-8 EEPROM 2K BIF
U7	13-LM78L0-5ZT	5V IC 100mA LM78L05Z
U8	13-AK4382-A0B	IC AK4382A
Y1	45-OSC27M-0Y3	CRYSTAL 27MHz

Note: Only the parts mentioned in this list are normal service spare parts.

Service Engineer Remarks:

MAIN ENCASING EXPLODED VIEW



ENCASING & ACCESSORIES PARTS LIST

No.	Part No.	Part Name	Qty
1	67-D520R1-0E0	Rear Cabinet	1
2	56-D520L2-0HCxx	Right lens	1
3	56-D520L3-xHCxx	Door lens	1
4	56-D520W1-0HA	DVD Tray Cosmetic Strip	1
5	67-L95097-0A0	PHILIPS LOGO	1
6	56-D520L1-xHCxx	Left Lens	1
7	55-D520F*-0HA	Front Cabinet	1
8	56-D520K1-0HA	Power Button	1
9	56-D520L4-0HC	Power lens	1
10	40-DVP520-SWB1X	P.C.B. Switch BD	1
12	58-951170-0H1	ESD Cut Sheet	1
13	56-D520K2-0HA	Open/Close Button	1
15	40-DVP520-FBB2X	P.C.B. Front CTL BD	1
16	56-D520K3-0HA	Play/Stop Button	1
17	40-DVP520-PWC1X	P.C.B. Power BD	
18	55-D520D1-0HAB1	Front Door	1
19	08-LOADER-005	ASA Loader	1
21	67-D520T1-0E0B1	Top Cover	1
23	67-D520B2-0E0B1	Back Plate	1
27	40-DVP520-MAC2X	P.C.B. Main BD	
30	62-RCCH10-000	PCB Support	1
31	62-372100-0HA	PCB Bracket H=5MM	1
32	51-DC0165-0CNA4	AC Cord Plug	
		(forDVP520 /00,/02)	1
	51-DC0165-0ANA4	Power Cord L=1650MM	
		(for DVP520/05)	1

SCREW LIST

No.	Part No.	Part Name	Qty
11	63-B26080-BF4	S/T Screw B2.6X8 BF	2
14	63-B26080-BF4	S/T Screw B2.6X8 BF	5
20	64-B30060-304	Triangle M/C Screw B3X6	4
22	64-B30060-302	M/C Screw B3X6	2
24	63-B30080-BF2	S/T Screw B3X8 BF	4
25	64-B30060-302	M/C Screw B3X6	4
26	64-B30060-302	M/C Screw B3X6	2
28	64-B30060-302	M/C Screw B3X6	2
29	64-B30100-304	Triangle M/C Screw B3X10	1

Note: Only the parts mentioned in this list are normal service spare parts

REVISION LIST

Version 1.0

* Initial release